


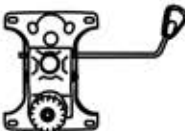



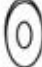

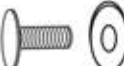


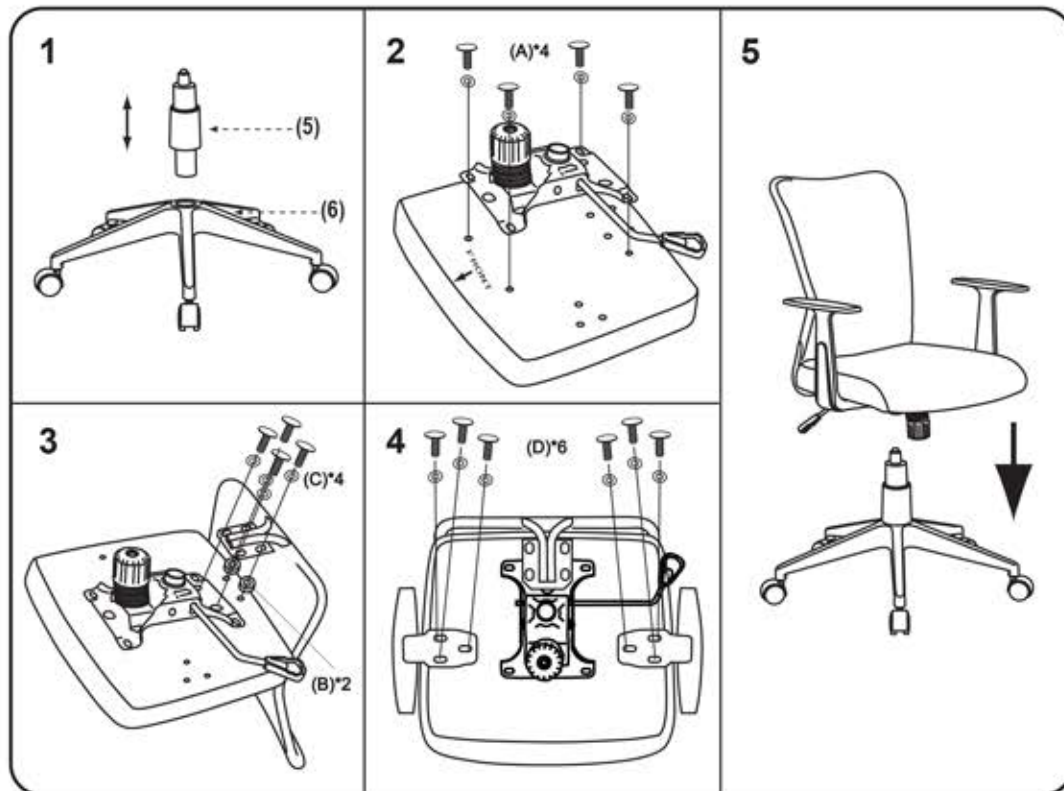


**IMPORTANT NOTICE:
HARDWARE PACKAGE IS ATTACHED
ON THE BOTTOM OF SEAT CUSHION.**

MODEL: YS01

(1)x1	(2)x1	(3)x1(L)x1(R)
		
(4)x1	(5)x1	(6)x1
		
(A)*4   M8*22 MECHANISM SCREW	(B)*2  GASKET	(C)*4  M8*25 L-BAR SCREW
(D)*6  M6*30 ARM SCREW	(E)*1  ALLEN KEY	



It is important to assemble all parts so that the directional "Arrows" point in the same direction. Make certain that all screws are FULLY tightened before using the chair. Each month, check all screws and tighten any that may have loosened.

