

## ASSEMBLY INSTRUCTIONS:

Product Code : CR45 / CR6 / CR12

Product Name: Rapid Worker Return

## TIME REQUIRED:

15 minutes

## TOOLS REQUIRED:

Screwdriver, Electric Drill, Pencil, Measuring tape/Ruler

\*Tools are not included.

## SKILL REQUIRED:

Easy  Hard

The Assembly Skill Rating is a 5-point system that shows the degree of effort needed in assembling a specific product. With 1 being easy for the average person and 5 requiring an expert. For most products, two persons are recommended.

### NOTE

- As this is a commercial product, some intermediate skills may be required.
  - No pre-drill holes or markings are provided on our table or desk tops.
  - Please check you have all hardware before assembling.
- If you are missing any hardware, please contact your Rapidline reseller. Please ensure you have the name of the item, required hardware part and quantity.
  - Please retain your receipt as proof of purchase to validate your warranty.
- Assemble on a clean, flat, smooth surface such as a rug or carpet to avoid parts from being scratched.
  - Remove all wrapping materials, including staples and packing straps before you start to assemble
    - Keep all hardware parts out of reach of children.

### CAUTION

- Heavy product. Do not attempt to lift or move without help
- Do not tighten screws and bolts until completely assembled.
- Do not use this product unless all bolts and screws are firmly secured and tightened.

### WARNING

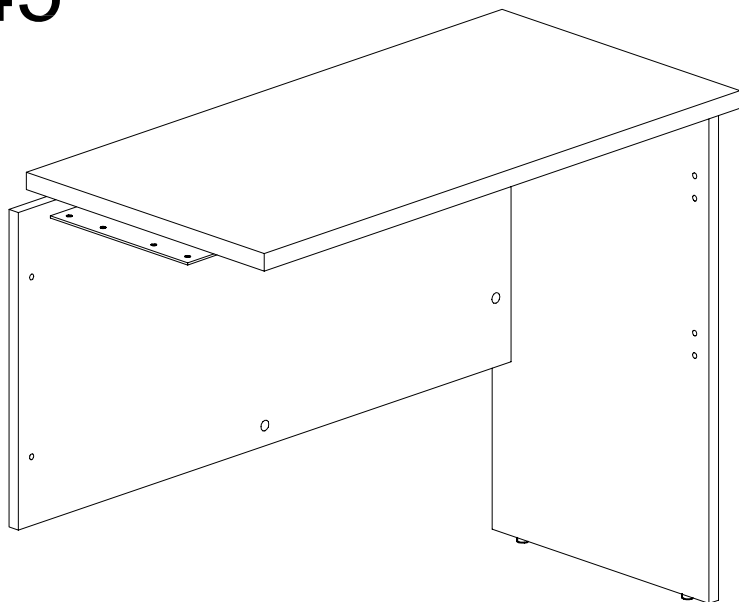
- If parts are missing, broken, damaged or worn stop using the product until all repairs are made.
  - Failure to follow these warnings could result in serious injury.

# ASSEMBLY INSTRUCTIONS

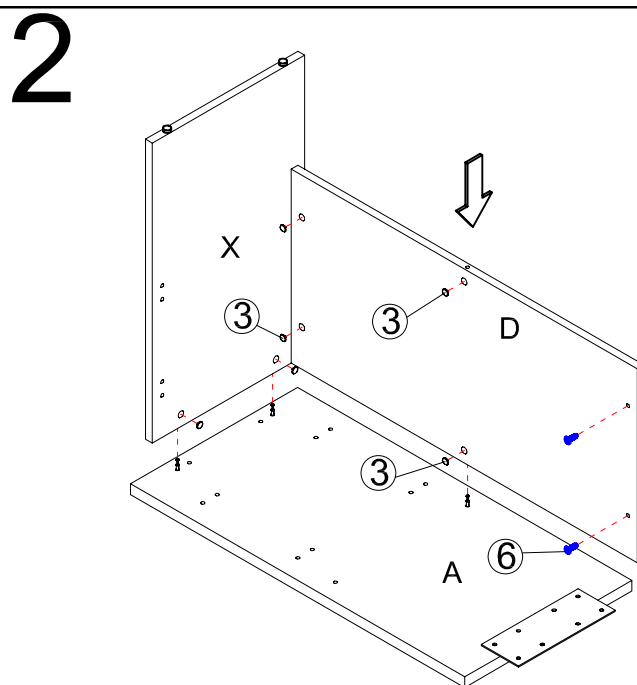
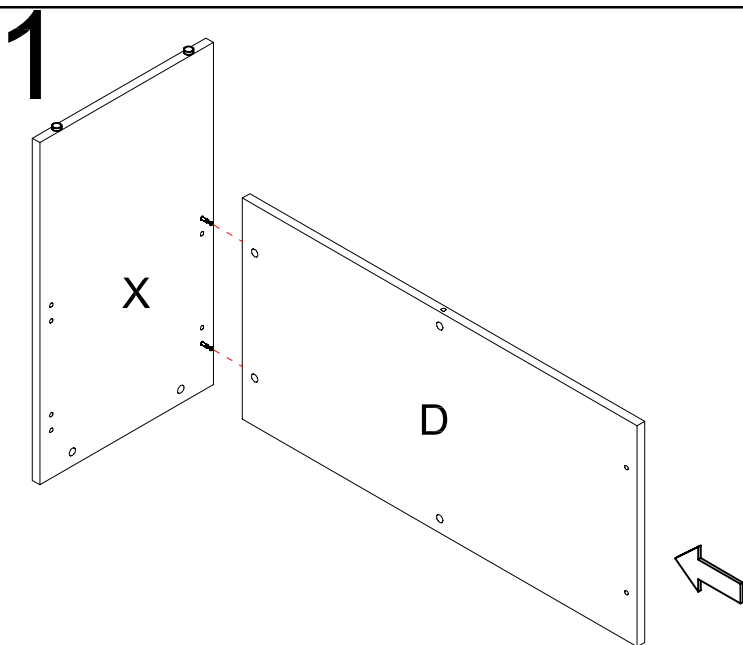
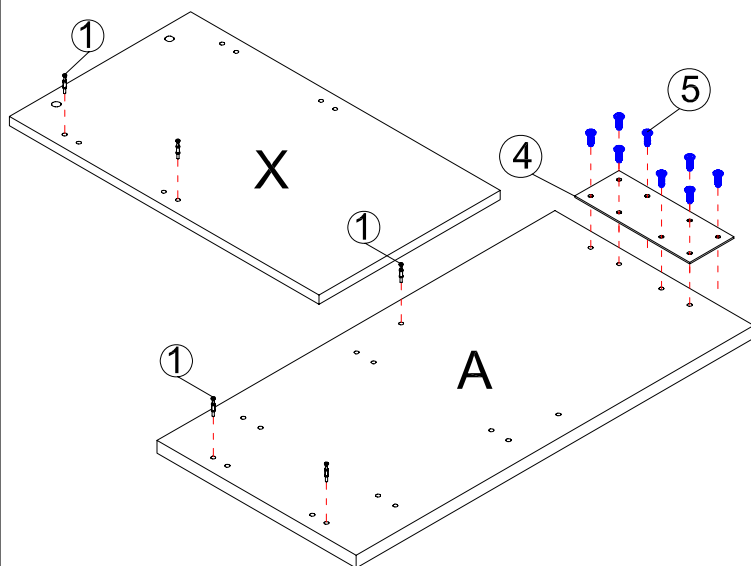
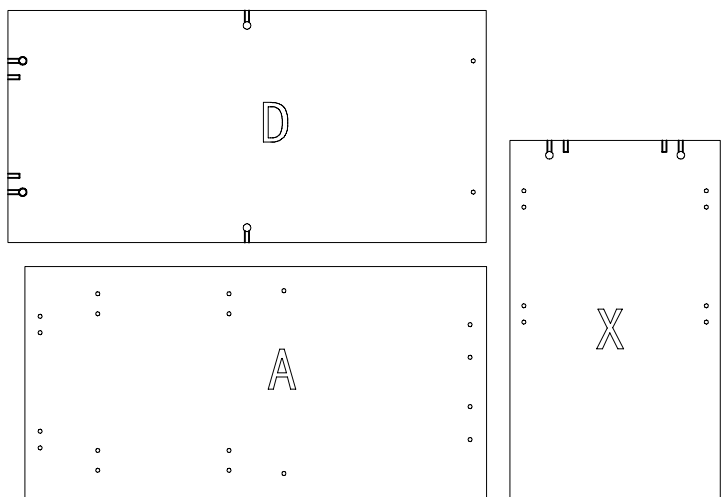
## CR45

**rapidline**  
FURNITURE FOR TODAY

2011-8-25



pin	6x35		1	5PCS
CAM			2	6PCS
Cam Cover			3	6PCS
CONNECTOR	250x100x2		4	1PCS
Screw	6x12		5	6PCS
Screw	6x25		6	2PCS



# ASSEMBLY INSTRUCTIONS

## CR6

## CR12

**rapidline**  
FURNITURE FOR TODAY

2011-8-25

