

## ASSEMBLY INSTRUCTIONS:

Product Code : URC NW/DW

Product Name: Urban Reception Counter

### TIME REQUIRED:

30 minutes

### TOOLS REQUIRED:

Screwdriver, Electric Drill, Pencil, Measuring tape/Ruler

\*Tools are not included.

### SKILL REQUIRED:

Easy ●●●●○ Hard

The Assembly Skill Rating is a 5-point system that shows the degree of effort needed in assembling a specific product. With 1 being easy for the average person and 5 requiring an expert. For most products, two persons are recommended.

#### NOTE

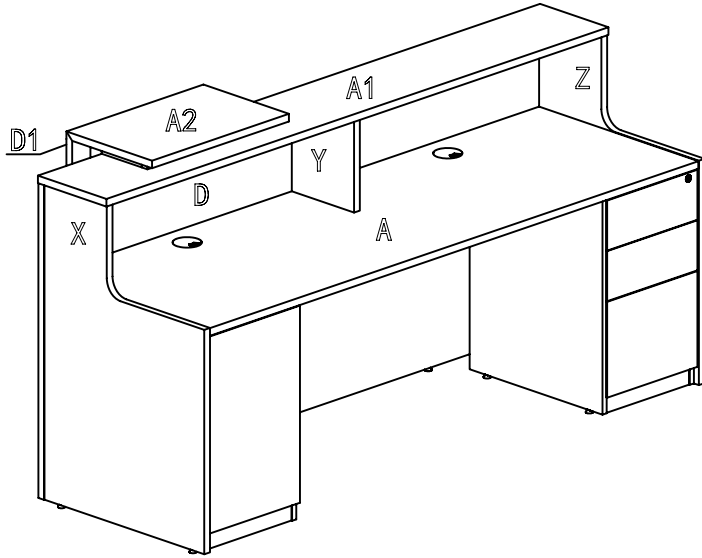
- As this is a commercial product, some intermediate skills may be required.
  - No pre-drill holes or markings are provided on our table or desk tops.
  - Please check you have all hardware before assembling.
- If you are missing any hardware, please contact your Rapidline reseller. Please ensure you have the name of the item, required hardware part and quantity.
  - Please retain your receipt as proof of purchase to validate your warranty.
- Assemble on a clean, flat, smooth surface such as a rug or carpet to avoid parts from being scratched.
  - Remove all wrapping materials, including staples and packing straps before you start to assemble
    - Keep all hardware parts out of reach of children.







#### CAUTION

- Heavy product. Do not attempt to lift or move without help
- Do not tighten screws and bolts until completely assembled.
- Do not use this product unless all bolts and screws are firmly secured and tightened.

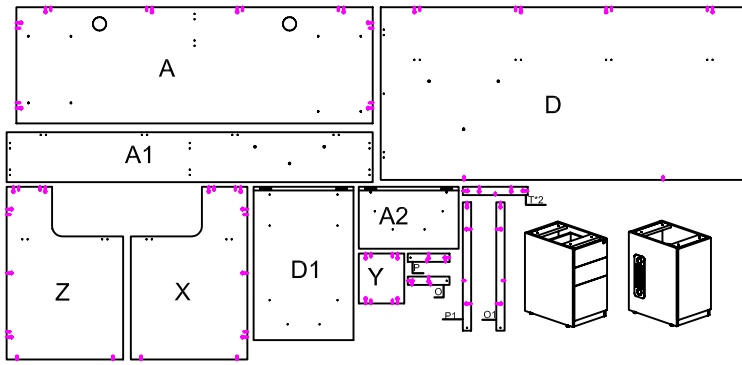
#### WARNING

- If parts are missing, broken, damaged or worn stop using the product until all repairs are made.
  - Failure to follow these warnings could result in serious injury.

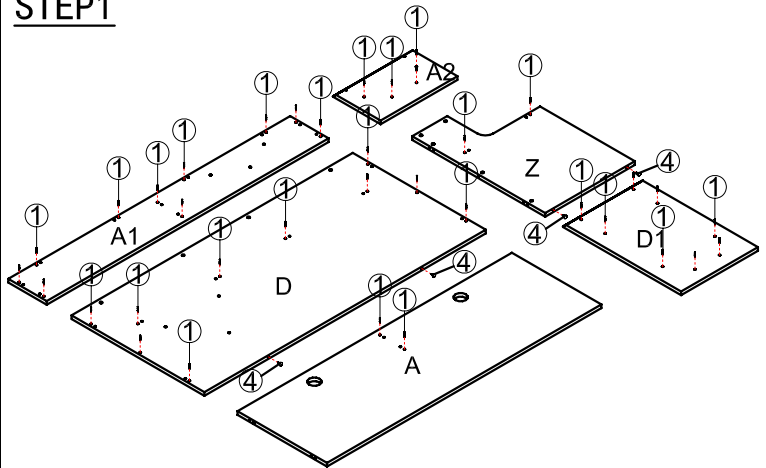


pin 6x35  1 44+4PCS	The wheel 6x35  5 6PCS
CAM  2 44+4PCS	ADJ.FEET Ø24x12II  4 6PCS
Cam Cover  3 44+4PCS	M4  1PCS

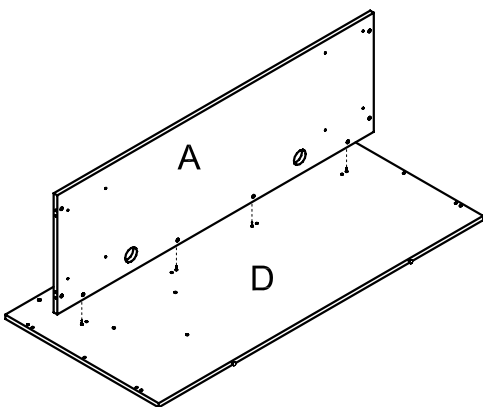
A



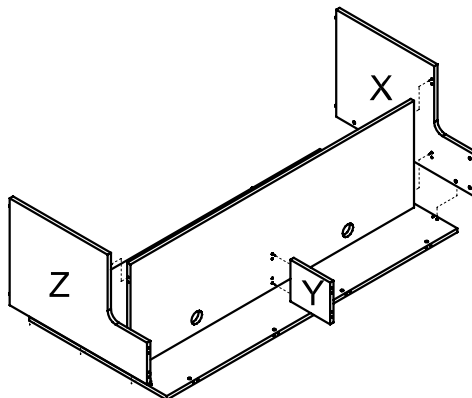
**STEP1**



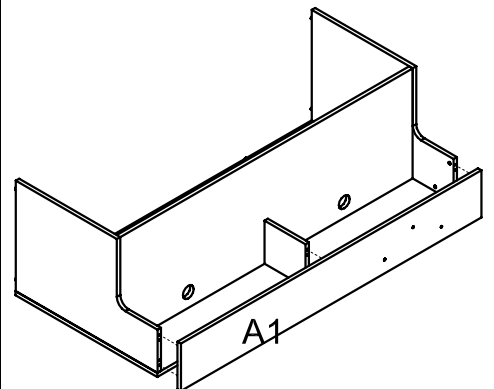
**STEP2**



**STEP3**

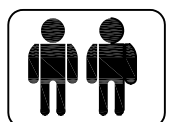


**STEP4**

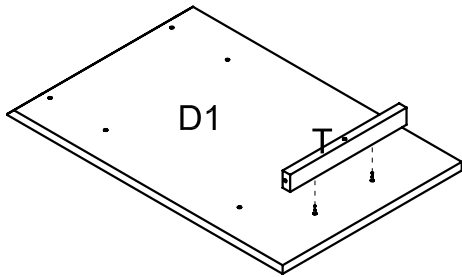


**IMPORTANT NOTE:**

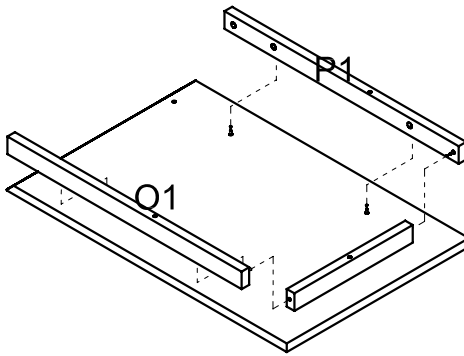
- Place all laminated parts on a clean and smooth surface such as a rug or carpet to avoid the parts from being scratched.
- Check to be sure that you have all parts and hardware.
- Remove all wrapping materials, including staples & packing straps before you start to assemble.
- Don't tighten all screws/bolts until all completely assembled.
- Keep all hardware parts out of reach of children



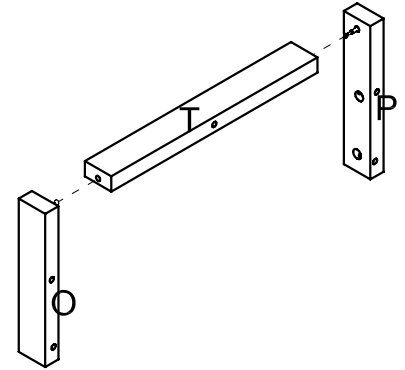
**STEP5**



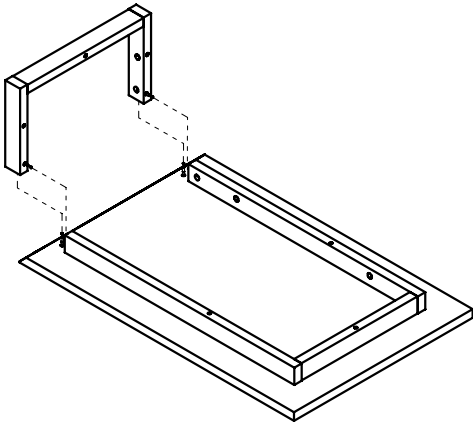
**STEP6**



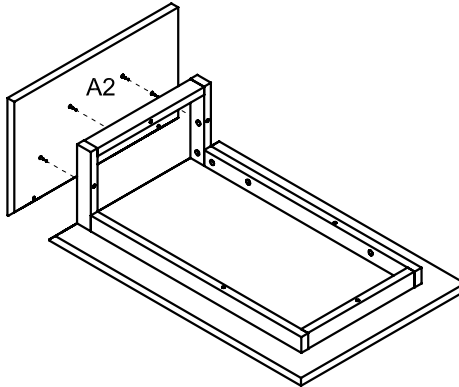
**STEP7**



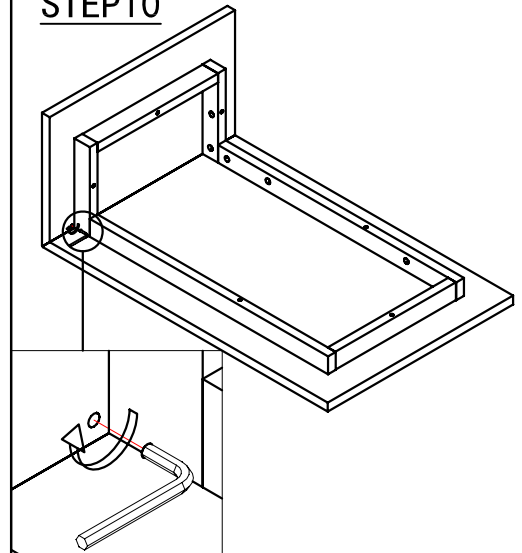
**STEP8**



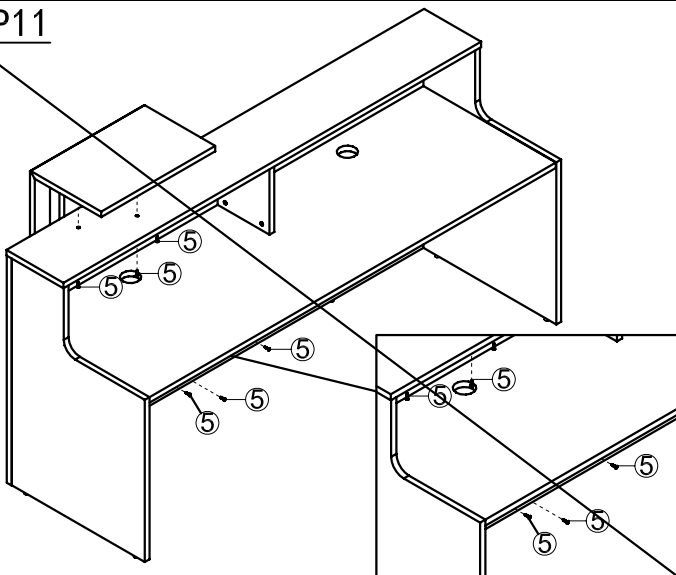
**STEP9**



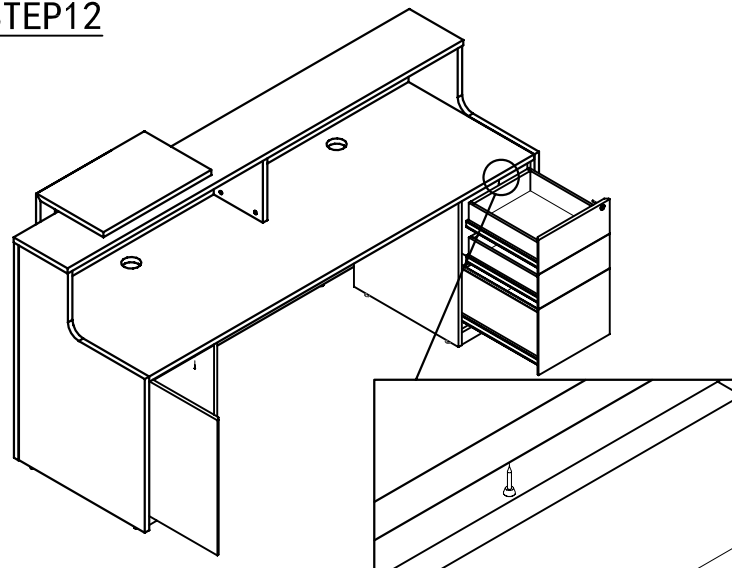
**STEP10**



**STEP11**

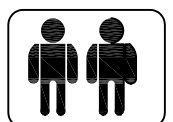


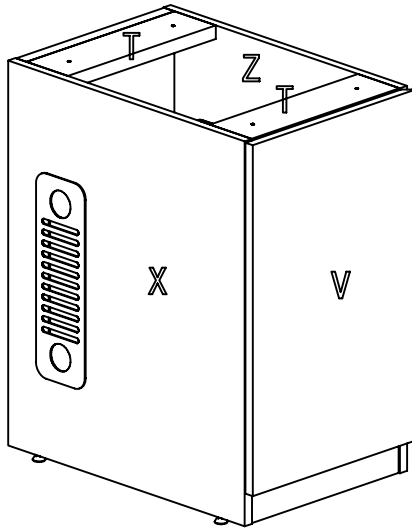
**STEP12**




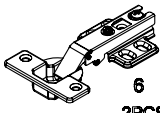





**IMPORTANT NOTE:**

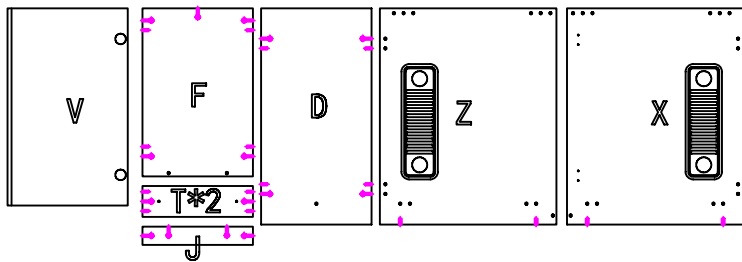
- Place all laminated parts on a clean and smooth surface such as a rug or carpet to avoid the parts from being scratched.
- Check to be sure that you have all parts and hardware.
- Remove all wrapping materials, including staples & packing straps before you start to assemble.
- Don't tighten all screws/bolts until all completely assembled.
- Keep all hardware parts out of reach of children



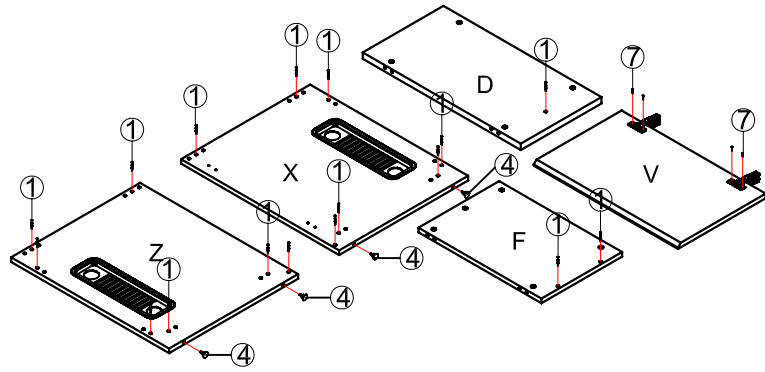


pin  1 15PCS	6x35  1	Screw  5 4PCS	4x35  1
CAM  2 15PCS		 6 2PCS	
Cam Cover  3 15PCS		Screw  7 12PCS	4x16  1
ADJ.FEET  4 4PCS	φ24×12H  1		

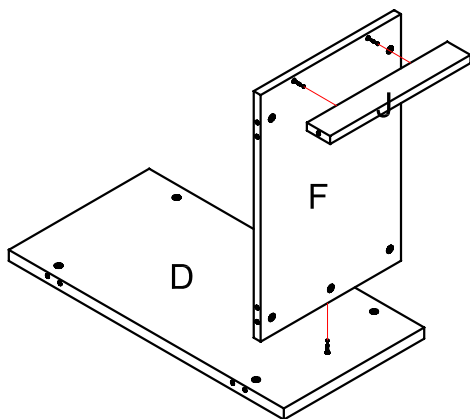
A



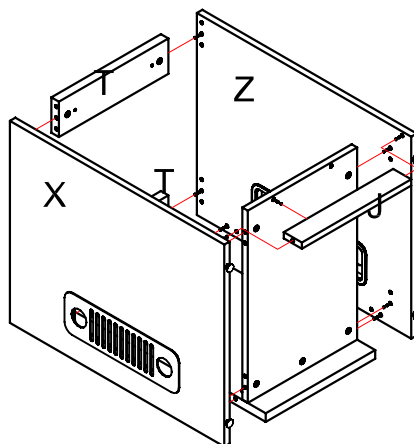
**STEP1**



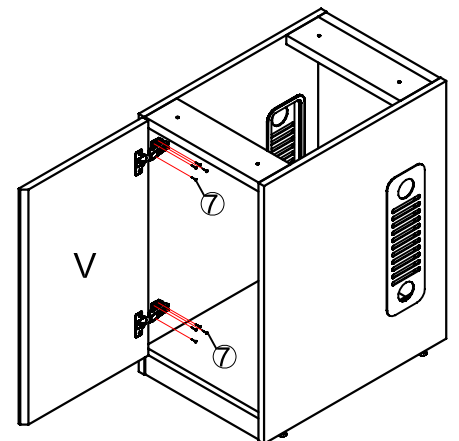
**STEP2**



**STEP3**



**STEP4**



**IMPORTANT NOTE:**

- Place all laminated parts on a clean and smooth surface such as a rug or carpet to avoid the parts from being scratched.
- Check to be sure that you have all parts and hardware.
- Remove all wrapping materials, including staples & packing straps before you start to assemble.
- Don't tighten all screws/bolts until all completely assembled.
- Keep all hardware parts out of reach of children

