

ASSEMBLY INSTRUCTIONS:

Product Code : RR1

Product Name: Rapid Riser 1 - Medium

TIME REQUIRED:


10 minutes

TOOLS REQUIRED:

Screwdriver, Electric Drill, Pencil, Measuring tape/Ruler

*Tools are not included.

SKILL REQUIRED:

Easy  Hard

The Assembly Skill Rating is a 5-point system that shows the degree of effort needed in assembling a specific product. With 1 being easy for the average person and 5 requiring an expert. For most products, two persons are recommended.

NOTE

- As this is a commercial product, some intermediate skills may be required.
 - No pre-drill holes or markings are provided on our table or desk tops.
 - Please check you have all hardware before assembling.
- If you are missing any hardware, please contact your Rapidline reseller. Please ensure you have the name of the item, required hardware part and quantity.
 - Please retain your receipt as proof of purchase to validate your warranty.
- Assemble on a clean, flat, smooth surface such as a rug or carpet to avoid parts from being scratched.
 - Remove all wrapping materials, including staples and packing straps before you start to assemble
 - Keep all hardware parts out of reach of children.

CAUTION

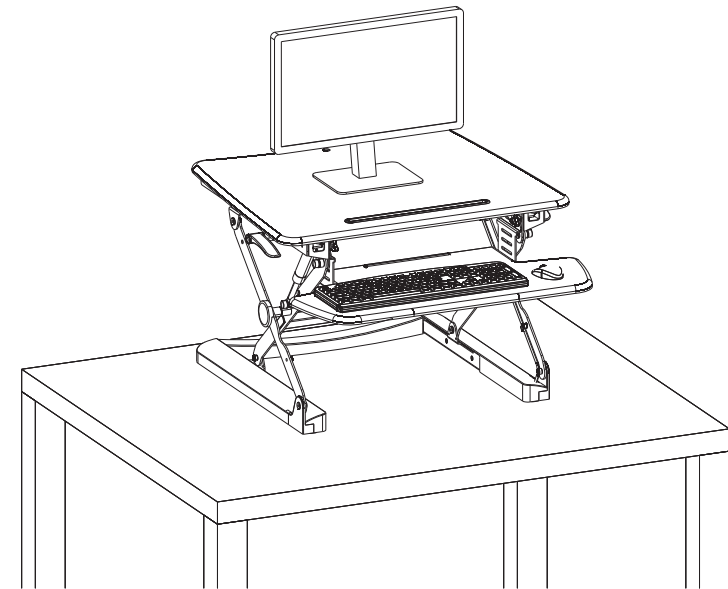
- Heavy product. Do not attempt to lift or move without help
- Do not tighten screws and bolts until completely assembled.
- Do not use this product unless all bolts and screws are firmly secured and tightened.

WARNING

- If parts are missing, broken, damaged or worn stop using the product until all repairs are made.
 - Failure to follow these warnings could result in serious injury.

INSTALLATION GUIDE

Item No.:RR1 BLACK



CAUTION

Please read all instruction carefully before using this product.
Retain this manual for future reference.
The specifications of this product may vary slightly from the illustrations and are subject to change without notice.

CAUTION

WARNING
Hands Pinching
Do not place your hand near the strut.
Strut's angle will change during the desktop
lifts and it may hurt you.



Please do not put hands near the supporting bars, as they change during adjusting and may hurt you.

CAUTION



Please make sure all installed equipment on the table, and not sticking out of the edge, or it may harm or cause damage.

CAUTION



Adhesive buckle helps to make the cables tidy and clean. Please leave enough length of cable for height adjustment function, otherwise it may cause unexpected lost.

CAUTION



Please first adjust it to the highest, then remove equipment to avoid harm or damage.

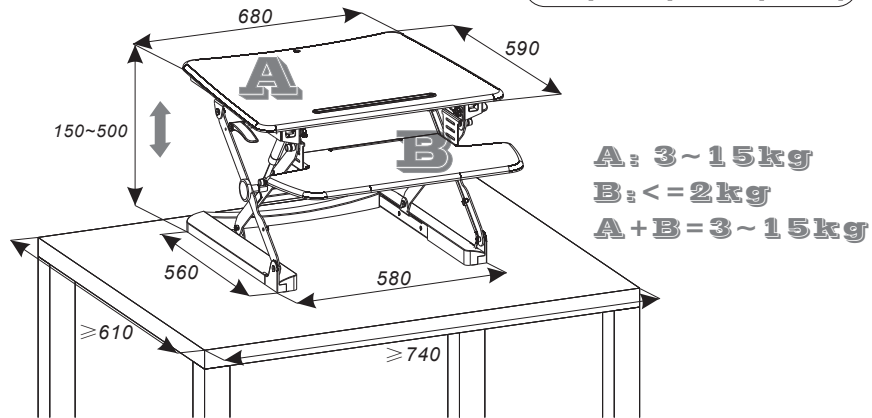
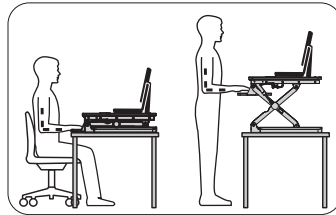
CAUTION



Please move it by two persons, or parts may collide and cause damage.

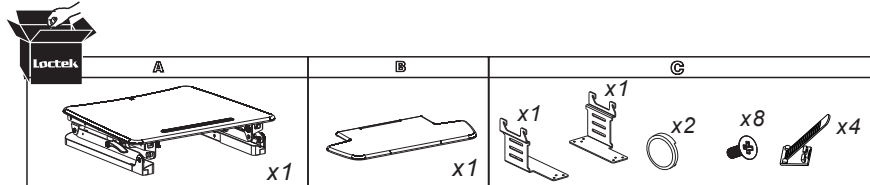
Technical Data

WARNING Please do not exceed the maximum bearing weight

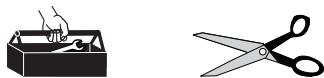


Accessory Package List

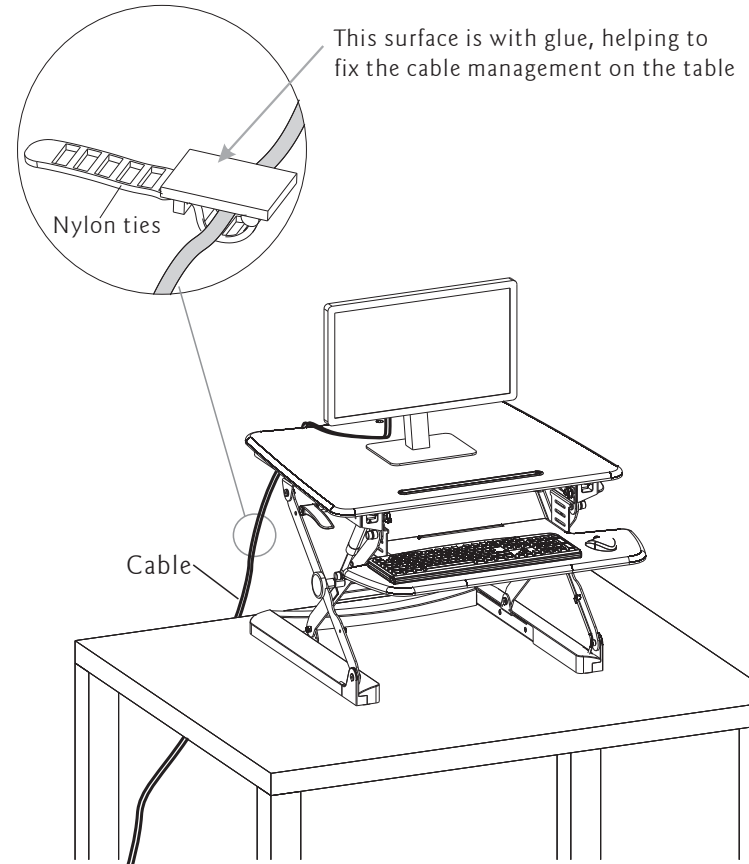
Note: The drawings below are only for reference and may be slightly different with the object, please in kind prevail. Any tools missing or installation problems, please contact the customer service freely.



TOOLS



ASSEMBLY STEP 5

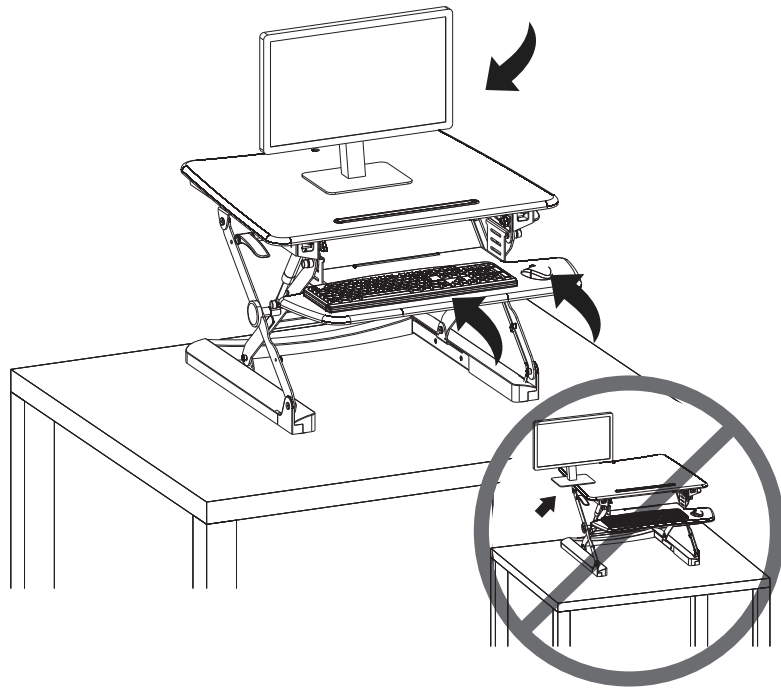


CAUTION

Adhesive buckle helps to make the cables tidy and clean. Please leave enough length of cable for height adjustment function, otherwise it may cause unexpected lost.

ASSEMBLY STEP 4

Please put the devices onto the top of the workstation.

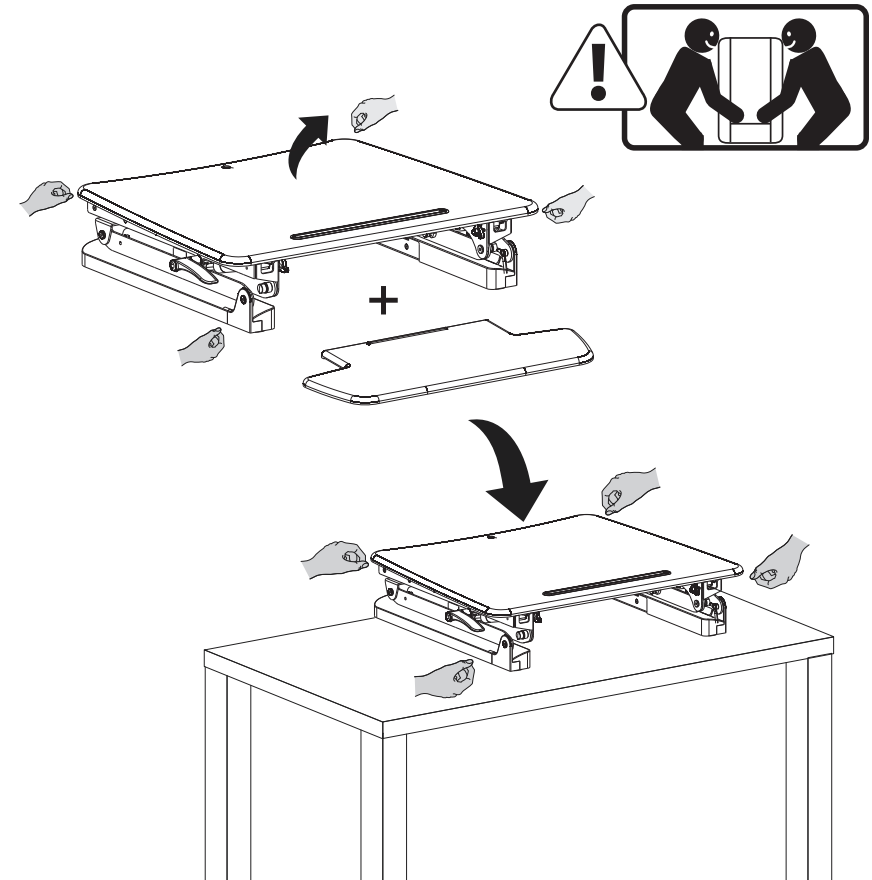


⚠ CAUTION

Please make sure all installed equipments are on the table, and not sticking out of the edge, or it may harm or cause damage.

ASSEMBLY STEP 1

Please take the packaging carton apart, take out the product and place it on the table.



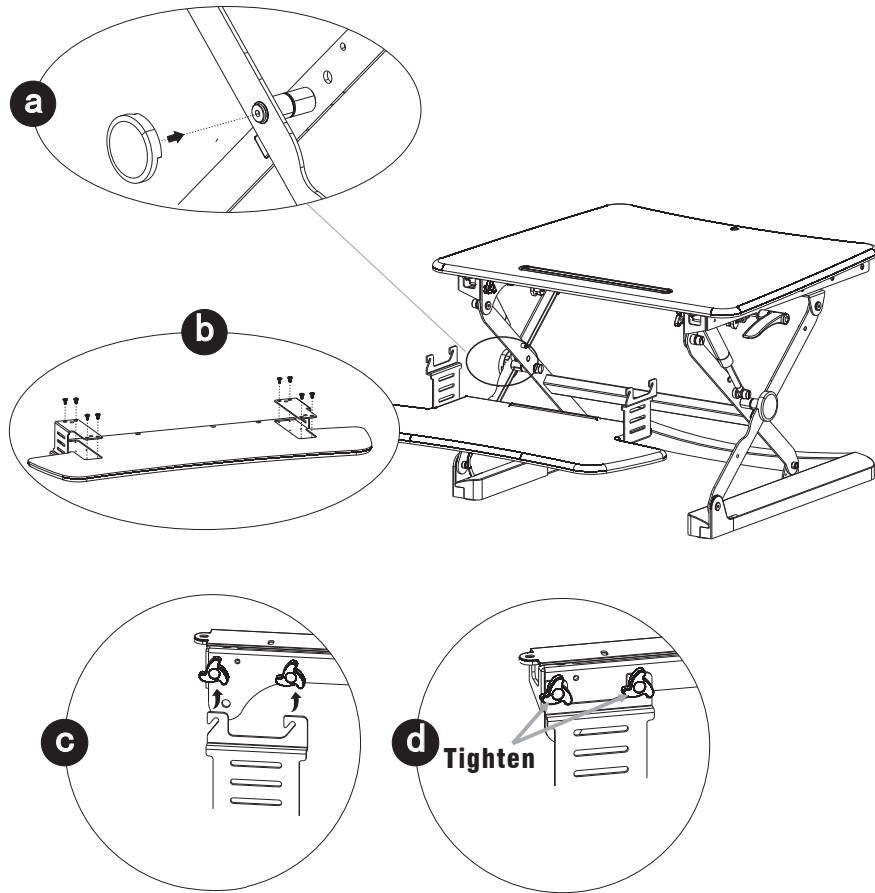
⚠ CAUTION

Please place the product properly according to size of it, or it may harm or cause damage.

ASSEMBLY STEP 2

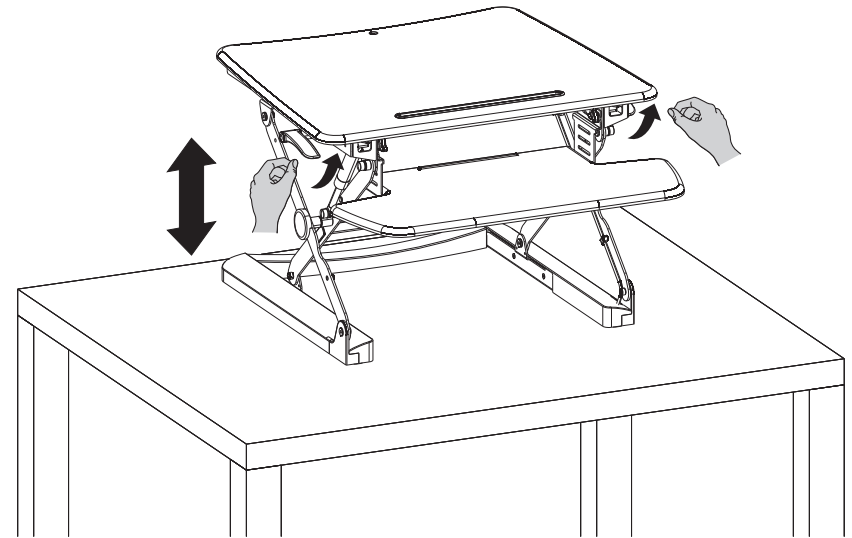
- a** : Buckle decorative cover to the connecting arm.
- b** : Connect and fix the junction plate and keyboard tray by 8 screws and use the cross screwdriver to fasten afterwards.
- c,d**: Hang the junction plate on the knob assembled and then tighten the knob.

Note: Loosen bolts to make sure the keyboard sits securely before tightening



ASSEMBLY STEP 3

Based on the actual usage, press the handle grips both sides simultaneously, and adjust the workstation to the proper height.



WARNING

Please do not put hands near the supporting bars, as they change during adjusting and may hurt you.