

## ASSEMBLY INSTRUCTIONS:

Product Code : RE100

Product Name: RE100 Chair

## TIME REQUIRED:

10 minutes

## TOOLS REQUIRED:

Screwdriver, Electric Drill, Pencil, Measuring tape/Ruler

\*Tools are not included.

## SKILL REQUIRED:

Easy ●●●●○ Hard

The Assembly Skill Rating is a 5-point system that shows the degree of effort needed in assembling a specific product. With 1 being easy for the average person and 5 requiring an expert. For most products, two persons are recommended.

### NOTE









- As this is a commercial product, some intermediate skills may be required.
  - No pre-drill holes or markings are provided on our table or desk tops.
  - Please check you have all hardware before assembling.
- If you are missing any hardware, please contact your Rapidline reseller. Please ensure you have the name of the item, required hardware part and quantity.
  - Please retain your receipt as proof of purchase to validate your warranty.
- Assemble on a clean, flat, smooth surface such as a rug or carpet to avoid parts from being scratched.
  - Remove all wrapping materials, including staples and packing straps before you start to assemble
    - Keep all hardware parts out of reach of children.



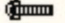
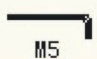
### CAUTION

- Heavy product. Do not attempt to lift or move without help
- Do not tighten screws and bolts until completely assembled.
- Do not use this product unless all bolts and screws are firmly secured and tightened.

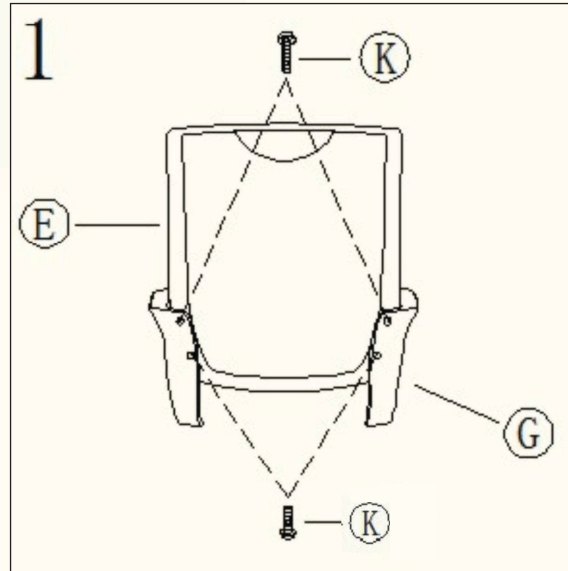
### WARNING

- If parts are missing, broken, damaged or worn stop using the product until all repairs are made.
  - Failure to follow these warnings could result in serious injury.

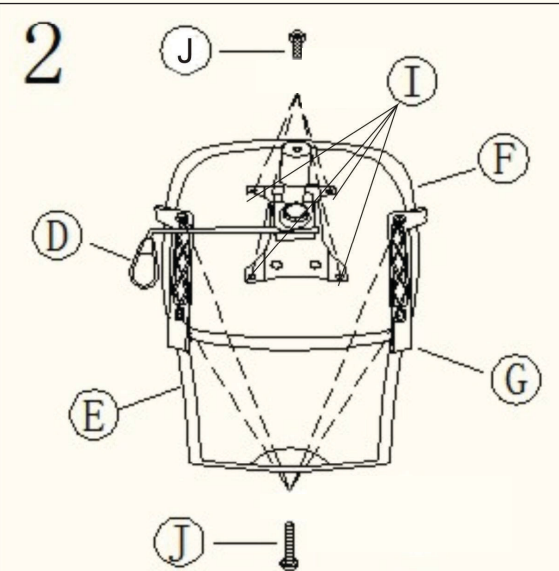
A		1
B		5
C		1
D		1
E		1
F		1
G		Each 1
H		4

I	 washer	4
J	 M6*30MM	8
K	 M6*25MM	4
N	 M5	1

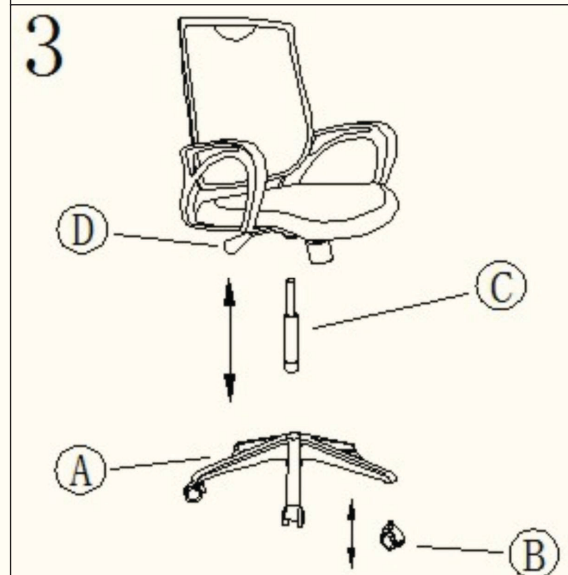
A. Star Base	I. Washers
B. Castors	J. Screws - 30mm
C. Gaslift	K. Screws - 25mm
D. Seat Mechanism	L. L Key
E. Back	
F. Seat	
G. Arms	
H. Screw Hiders	



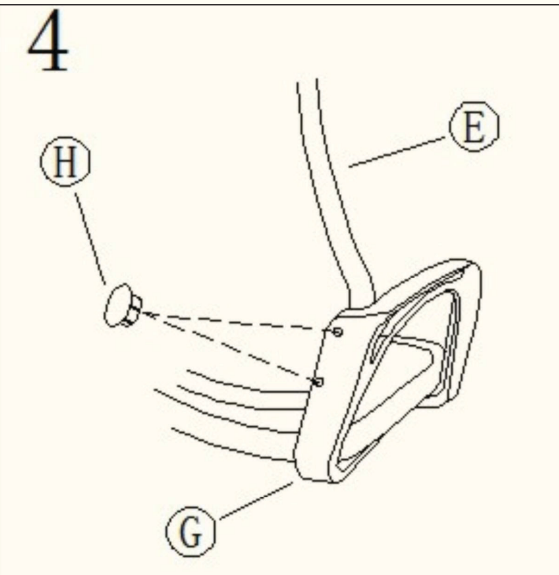
- 1.
- Use K Screws to attach the arm (G) set to the back rest (E)



- 2.
- Place seat (F) between the arms (G) and use the J Screws to attach seat to the arms
  - Use the J Screws to attach the seat mechanism (D) underneath the seat (F)



- 3.
- Attach the castors (B) onto the star base (A)
  - Insert the Gaslift (C) into the starbase (A)
  - Push gaslift down and insert it into the slot under the seat



- 4.
- Use G to hide screw holes