

## ASSEMBLY INSTRUCTIONS:

Product Code : ORCA BL

Product Name: ORCA Mesh Chair

### TIME REQUIRED:

20 minutes

### TOOLS REQUIRED:

Screwdriver, Electric Drill, Pencil, Measuring tape/Ruler

\*Tools are not included.

### SKILL REQUIRED:

Easy  Hard

The Assembly Skill Rating is a 5-point system that shows the degree of effort needed in assembling a specific product. With 1 being easy for the average person and 5 requiring an expert. For most products, two persons are recommended.

#### NOTE

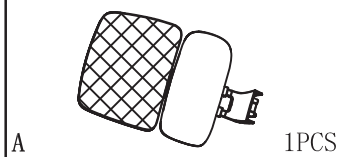
- As this is a commercial product, some intermediate skills may be required.
  - No pre-drill holes or markings are provided on our table or desk tops.
  - Please check you have all hardware before assembling.
- If you are missing any hardware, please contact your Rapidline reseller. Please ensure you have the name of the item, required hardware part and quantity.
  - Please retain your receipt as proof of purchase to validate your warranty.
- Assemble on a clean, flat, smooth surface such as a rug or carpet to avoid parts from being scratched.
  - Remove all wrapping materials, including staples and packing straps before you start to assemble
    - Keep all hardware parts out of reach of children.

#### CAUTION

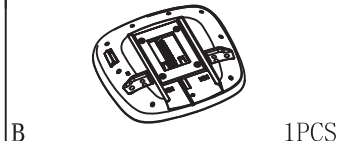
- Heavy product. Do not attempt to lift or move without help
- Do not tighten screws and bolts until completely assembled.
- Do not use this product unless all bolts and screws are firmly secured and tightened.

#### WARNING

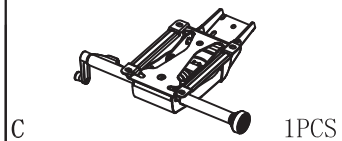
- If parts are missing, broken, damaged or worn stop using the product until all repairs are made.
  - Failure to follow these warnings could result in serious injury.



A 1PCS



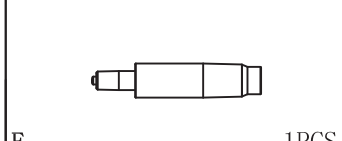
B 1PCS



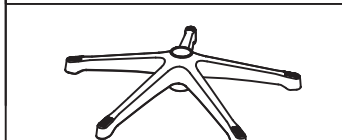
C 1PCS



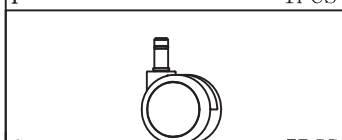
D 1SET



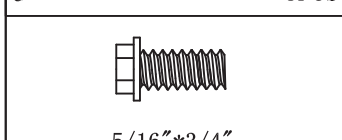
E 1PCS



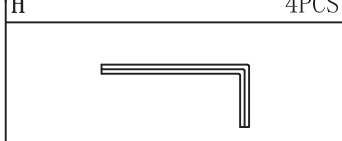
F 1PCS



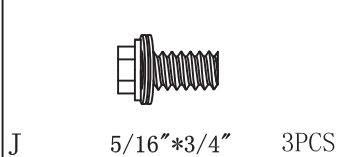
G 5PCS



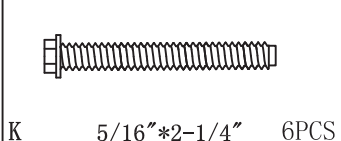
H 5/16" \* 3/4" 4PCS



I M5 1PCS



J 5/16" \* 3/4" 3PCS



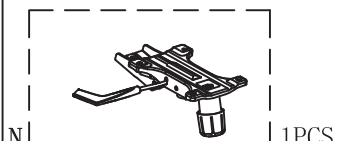
K 5/16" \* 2-1/4" 6PCS



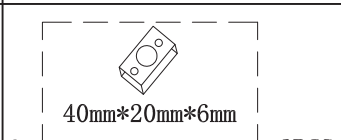
L 4PCS



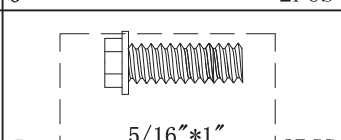
M 1PCS



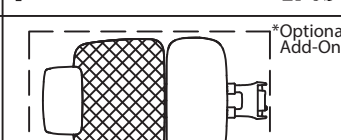
N 1PCS



O 40mm \* 20mm \* 6mm 2PCS



P 5/16" \* 1" 2PCS



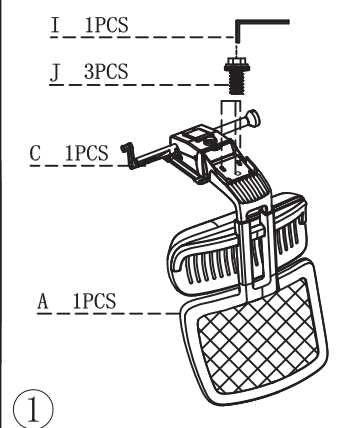
Q 1PCS



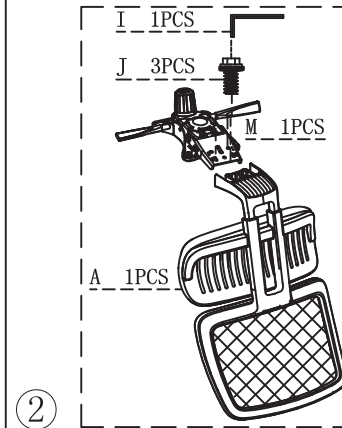
Q 1PCS

\*Optional Add-On

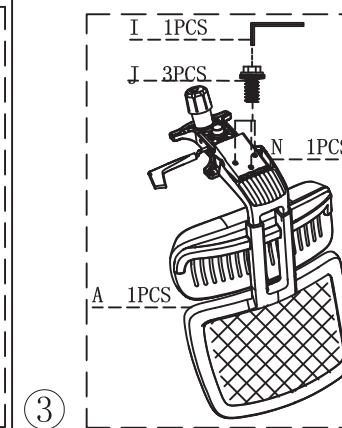
# ORCA CHAIR ASSEMBLY INSTRUCTIONS



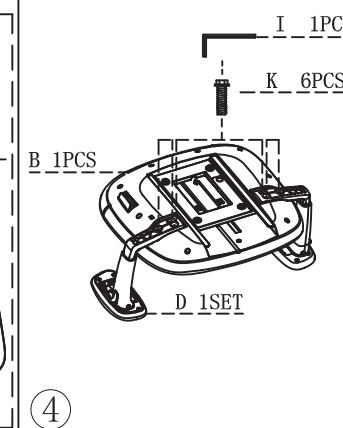
①



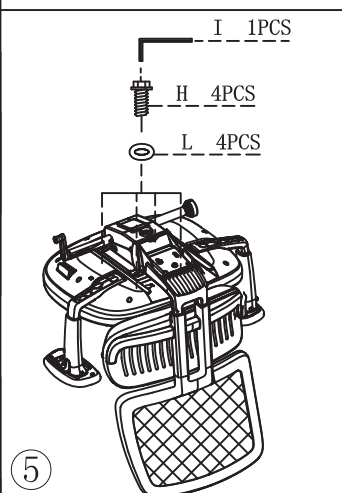
②



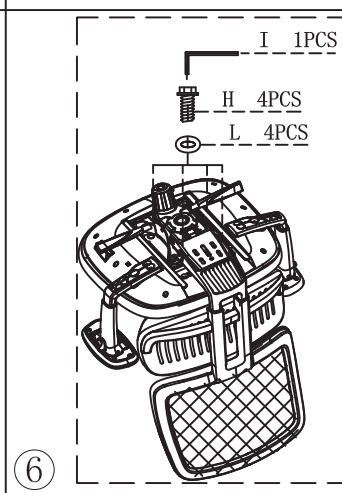
③



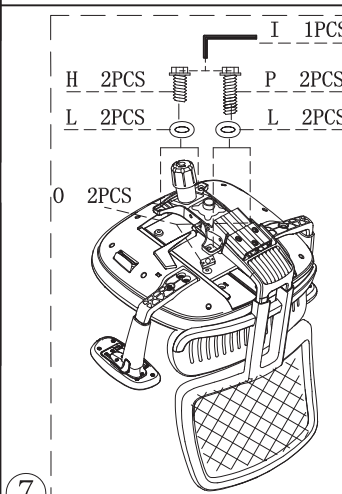
④



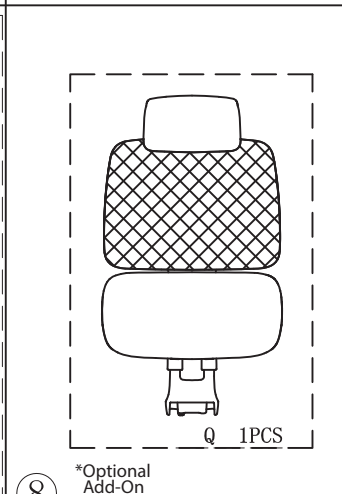
⑤



⑥

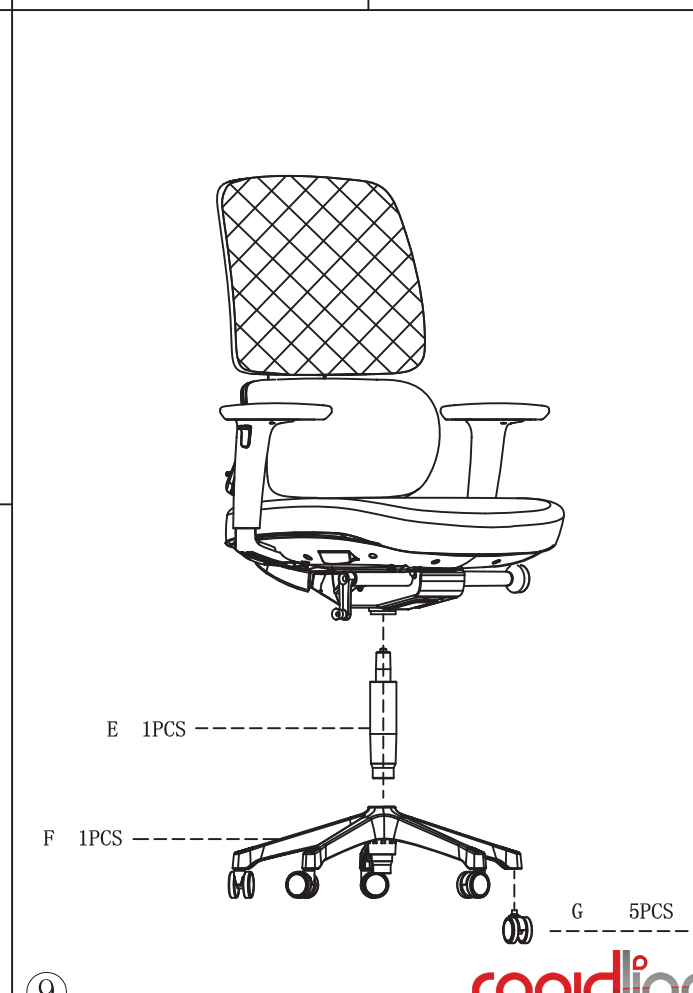


⑦

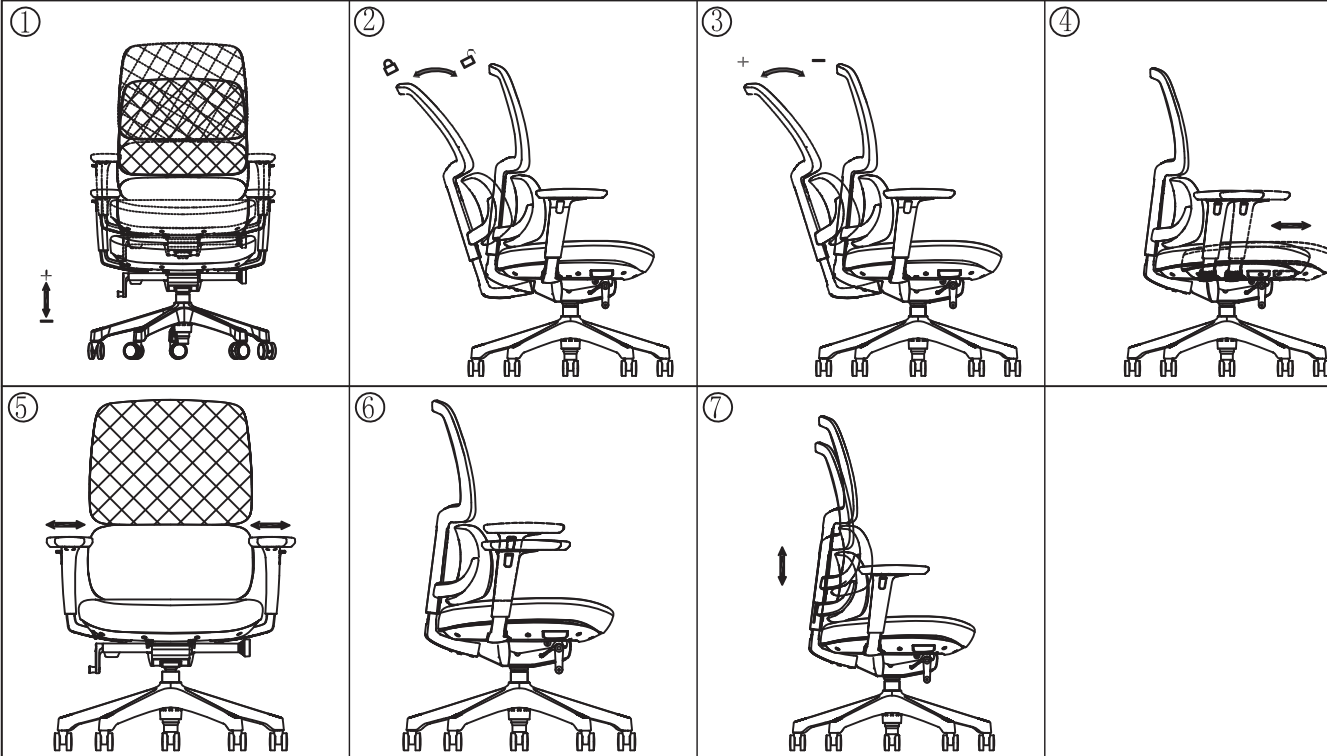
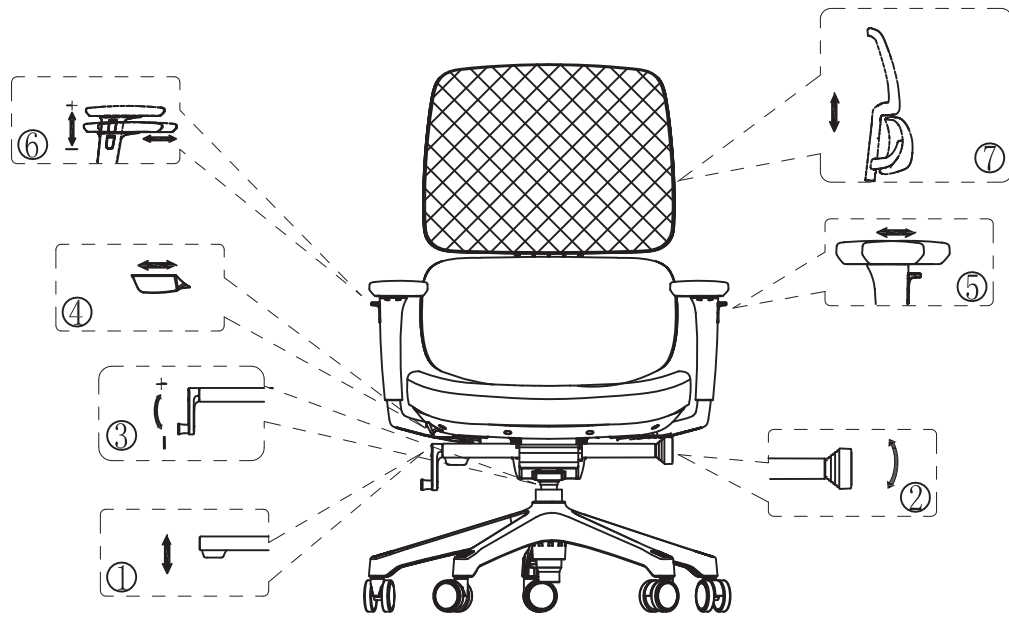


⑧

\*Optional Add-On



⑨



# ORCA Chair Operation Manual

**rapidline**  
FURNITURE FOR TODAY