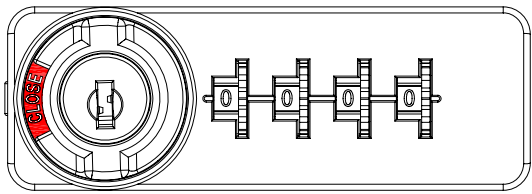


OFL138N WC Lock User Manual



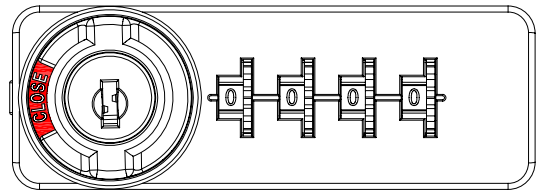
1. Lock & Unlock

1.



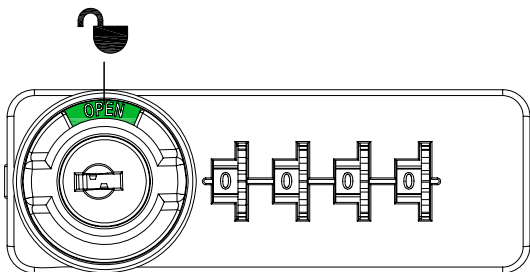
Turn the knob to close position

2.



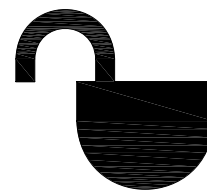
input correct password to open

3.



Turn the knob to OPEN position

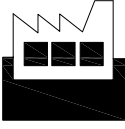
4.




OPEN

! Door open. But at OPEN position, you can not change password

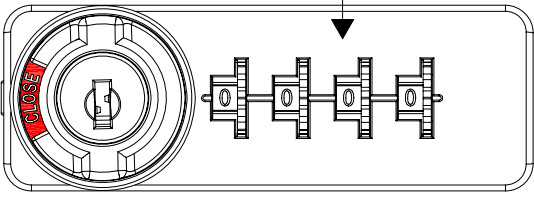
2. Password changing

6.  = 0 | 0 | 0 | 0

↓ ↓

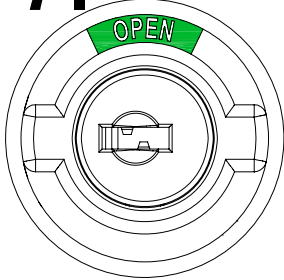
10.  = 1 | 6 | 8 | 8

6. 0 | 0 | 0 | 0

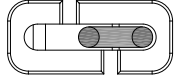


Default password: 0-0-0-0

7.



1.PERSONAL
2.PUBLIC
3.CODE RESET

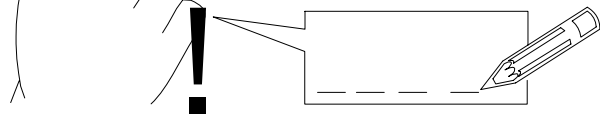
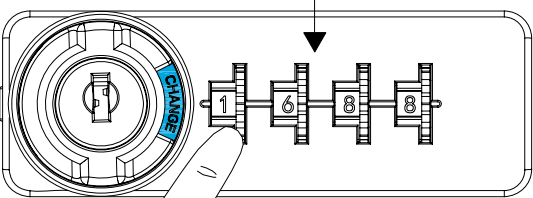


Front side Back side

Turn knob to "OPEN" position, and back side button to 2 PUBLIC mode

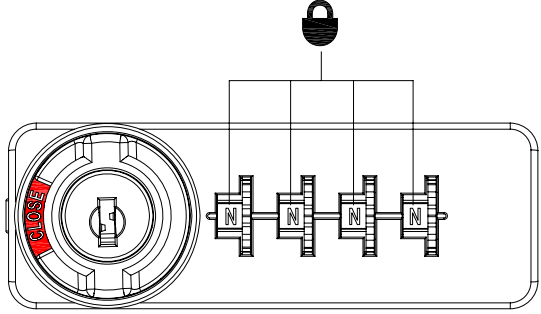
8. 1 | 6 | 8 | 8

Turn the knob to CHANGE position



!

9.



10.

1 | 6 | 8 | 8 = ✓

! change your password

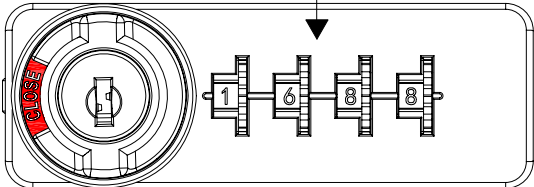
3. Password changing at private mode

11. ☹️ = 1 | 6 | 8 | 8

↓

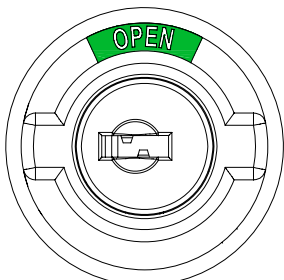
15. 😊 = 8 | 8 | 8 | 8

11. 1 | 6 | 8 | 8



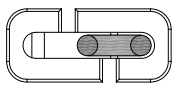
Current password: 1-6-8-8

12.



Front side
Turn knob to "OPEN" position,
and back side button to 2 PUBLIC mode

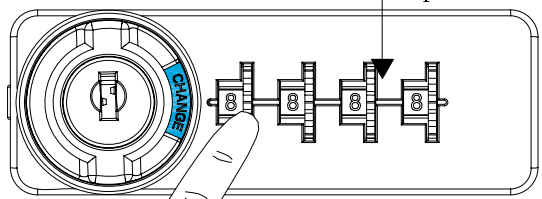
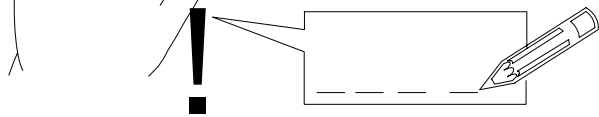
1.PERSONAL
2.PUBLIC
3.CODE RESET



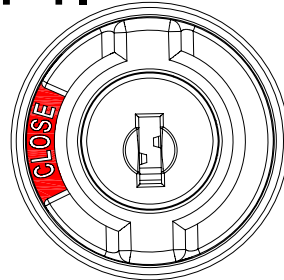
Back side

13. 8 | 8 | 8 | 8

Turn the knob to CHANGE position

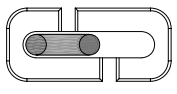



14.



Front side
Turn knob to "OPEN" position, and back side button to 1 PERSONAL mode

1.PERSONAL
2.PUBLIC
3.CODE RESET



Back side

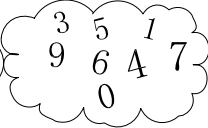
15.

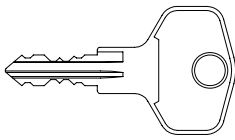
8 | 8 | 8 | 8 = ✓


! Password can not be changed

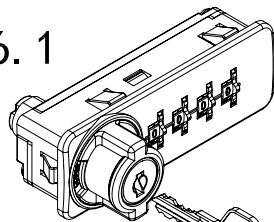
Note: This step can be operated only when the door is open.

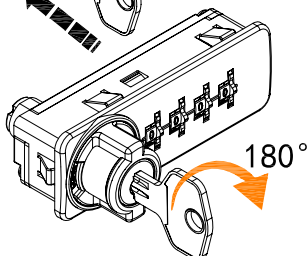
4. Password finding by emergency key

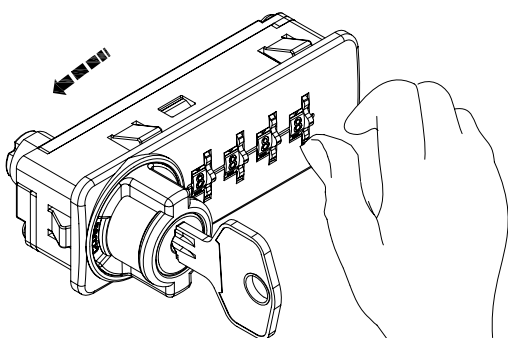
16. ☹️ = 

↓ + 

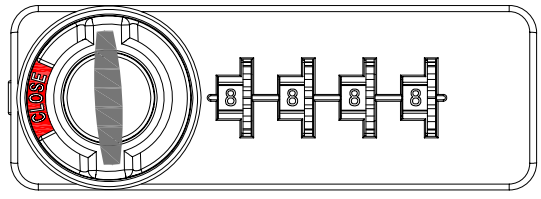
18. 😊 = 

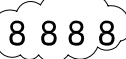
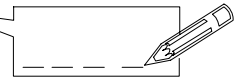
16. 16.1 


16.2 

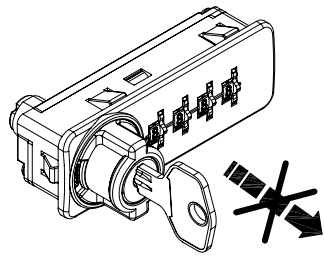
17. 

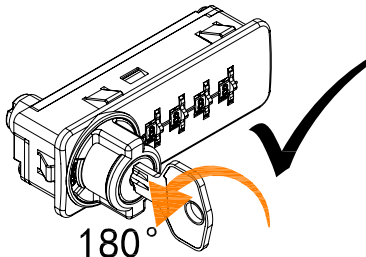
Turn the digit wheel one by one till wheel can not move

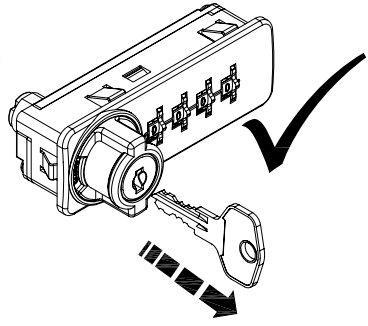
18. 

😊 =  ! 

19. 

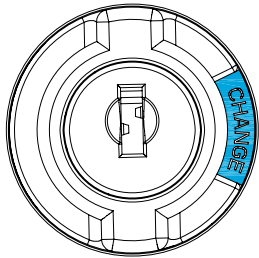
19.1 

19.2 

19.3 

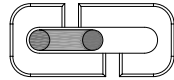
5. Password finding by emergency bar

20.



Front side

1.PERSONAL



2.PUBLIC
3.CODE RESET

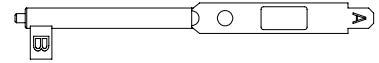
Back side

! at PERSONAL mode, password can't be found by emergency key

21. ☹️ = ☁️
 ☁️: 3 5 1
 9 6 4 7
 0

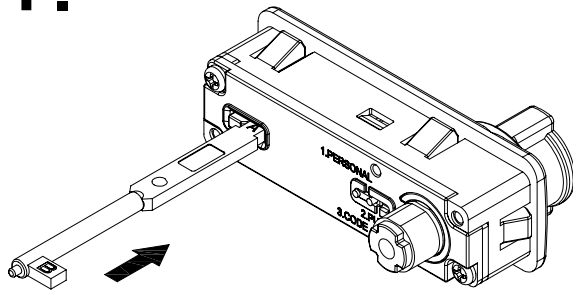


+

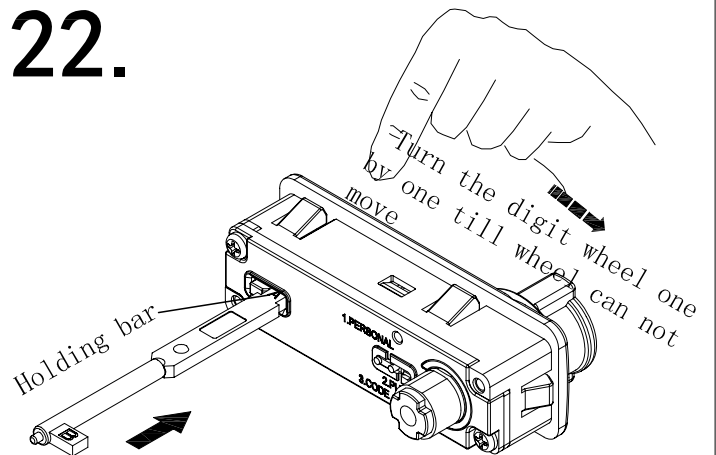


24. 😊 = ☁️
 ☁️: 8 8 8 8

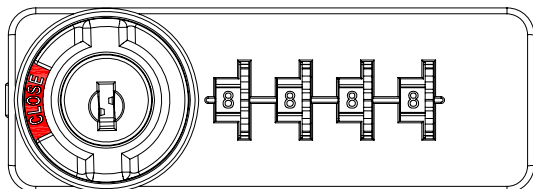
21.



22.



23.



😊 = ☁️
 ☁️: 8 8 8 8 !

24.

