

ASSEMBLY INSTRUCTIONS:

Product Code : LUCID W/BP & LUCID B/BP

Product Name: Lucid Chair with Plastic Base

TIME REQUIRED:

10 minutes

TOOLS REQUIRED:

Screwdriver, Electric Drill, Pencil, Measuring tape/Ruler

*Tools are not included.

SKILL REQUIRED:

Easy ●●○○○ Hard

The Assembly Skill Rating is a 5-point system that shows the degree of effort needed in assembling a specific product. With 1 being easy for the average person and 5 requiring an expert. For most products, two persons are recommended.

NOTE

- As this is a commercial product, some intermediate skills may be required.
 - No pre-drill holes or markings are provided on our table or desk tops.
 - Please check you have all hardware before assembling.
- If you are missing any hardware, please contact your Rapidline reseller. Please ensure you have the name of the item, required hardware part and quantity.
 - Please retain your receipt as proof of purchase to validate your warranty.
- Assemble on a clean, flat, smooth surface such as a rug or carpet to avoid parts from being scratched.
 - Remove all wrapping materials, including staples and packing straps before you start to assemble
 - Keep all hardware parts out of reach of children.

CAUTION

- Heavy product. Do not attempt to lift or move without help
- Do not tighten screws and bolts until completely assembled.
- Do not use this product unless all bolts and screws are firmly secured and tightened.

WARNING




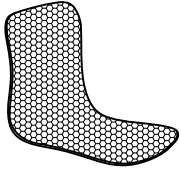


- If parts are missing, broken, damaged or worn stop using the product until all repairs are made.
 - Failure to follow these warnings could result in serious injury.

ASSEMBLY INSTRUCTIONS

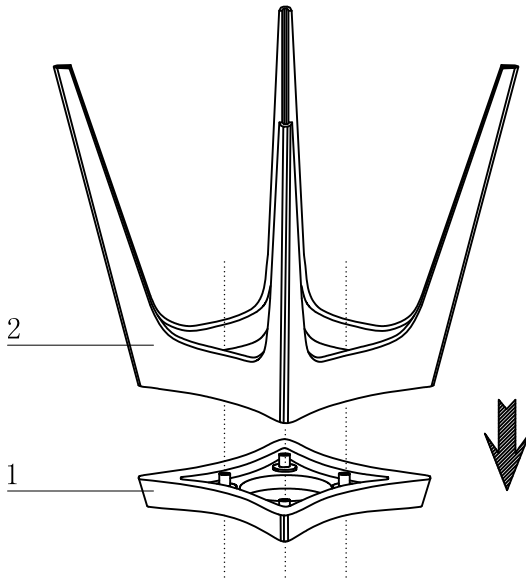
remove all items from the carton. Verify all pieces before assembly

PART LIST

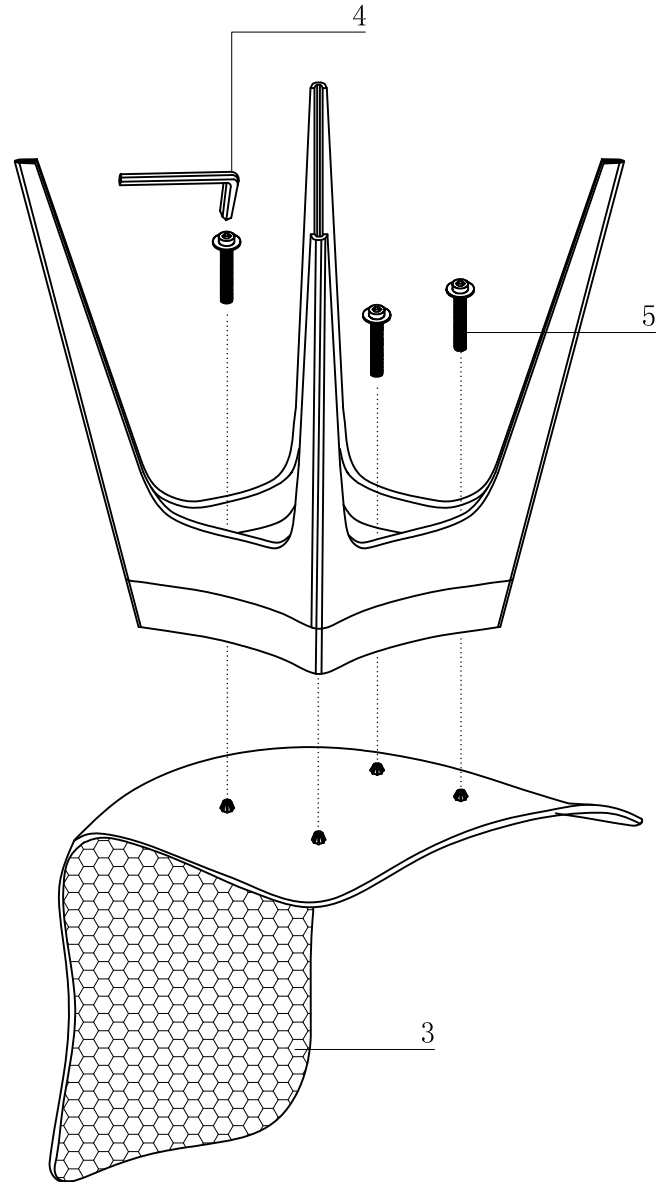
LSP+LPB

	<p>Cushion 1</p>  <p>1PC</p>	<p>Chair foot 2</p>  <p>1PC</p>	<p>Back 3</p>  <p>1PC</p>	<p>Wrench 4</p>  <p>1PC</p>	<p>Screw 5</p>  <p>M6x60=4PCS</p>
---	---	--	---	--	--

STEP-1



STEP-2



FINISH



PREVENTATIVE MAINTENANCE AND WARNING

- USE THIS PRODUCT ONLY FOR SEATING ONE PERSON AT A TIME
- DO NOT USE THIS CHAIR AS A STEP LADDER
- DO NOT SIT ON ANY PART OF THE CHAIR EXCEPT THE SEAT
- DO NOT USE THE CHAIR ON UNEVEN FLOOR SURFACES
- DO NOT USE CHAIR UNLESS ALL BOLTS, SCREWS AND KNOB ARE TIGHT, AT LEAST EVERY SIX MONTHS, CHECK ALL BOLTS AND SCREWS
- IF ANY PARTS ARE MISSING, BROKEN, DAMAGED OR WORN, STOP USE OF THE PRODUCT UNTIL REPAIRS ARE MADE
- FAILURE TO FOLLOW THESE WARNING COULD RESULT IN SERIOUS INJURY