

## ASSEMBLY INSTRUCTIONS:

Product Code : KAL TASK

Product Name: Kal Task Chair

### TIME REQUIRED:

15 minutes

### TOOLS REQUIRED:

Screwdriver, Electric Drill, Pencil, Measuring tape/Ruler

\*Tools are not included.

### SKILL REQUIRED:

Easy  Hard

The Assembly Skill Rating is a 5-point system that shows the degree of effort needed in assembling a specific product. With 1 being easy for the average person and 5 requiring an expert. For most products, two persons are recommended.

#### NOTE

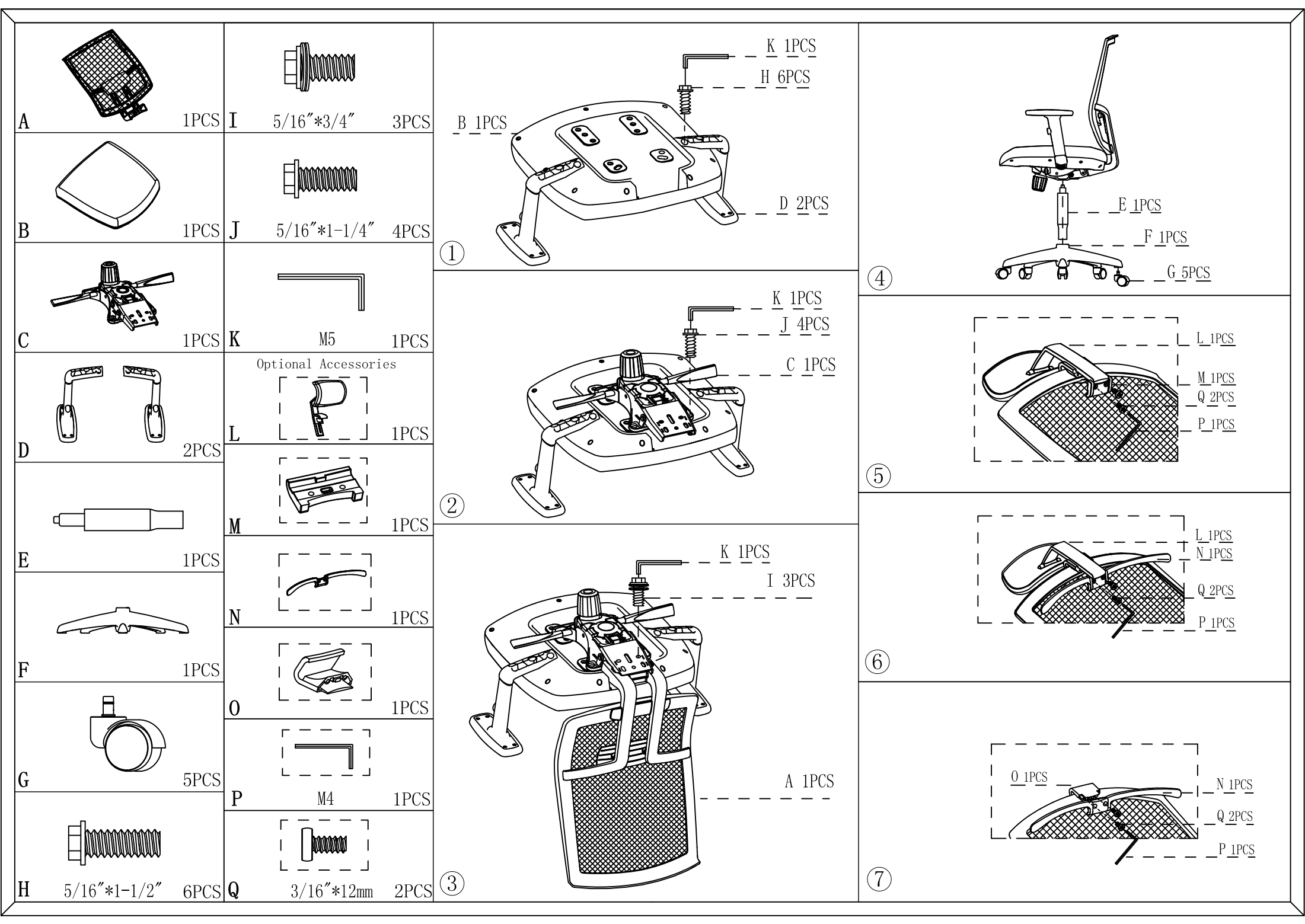
- As this is a commercial product, some intermediate skills may be required.
  - No pre-drill holes or markings are provided on our table or desk tops.
  - Please check you have all hardware before assembling.
- If you are missing any hardware, please contact your Rapidline reseller. Please ensure you have the name of the item, required hardware part and quantity.
  - Please retain your receipt as proof of purchase to validate your warranty.
- Assemble on a clean, flat, smooth surface such as a rug or carpet to avoid parts from being scratched.
- Remove all wrapping materials, including staples and packing straps before you start to assemble
  - Keep all hardware parts out of reach of children.

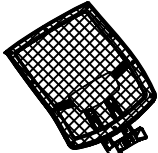
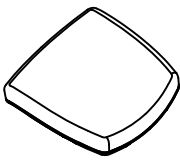
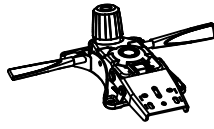
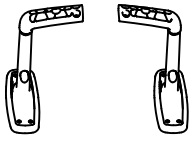
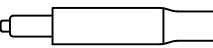

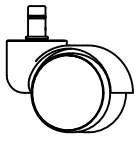

#### CAUTION

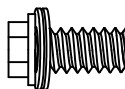
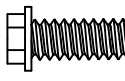

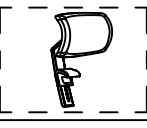



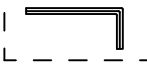
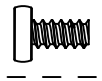
- Heavy product. Do not attempt to lift or move without help
- Do not tighten screws and bolts until completely assembled.
- Do not use this product unless all bolts and screws are firmly secured and tightened.

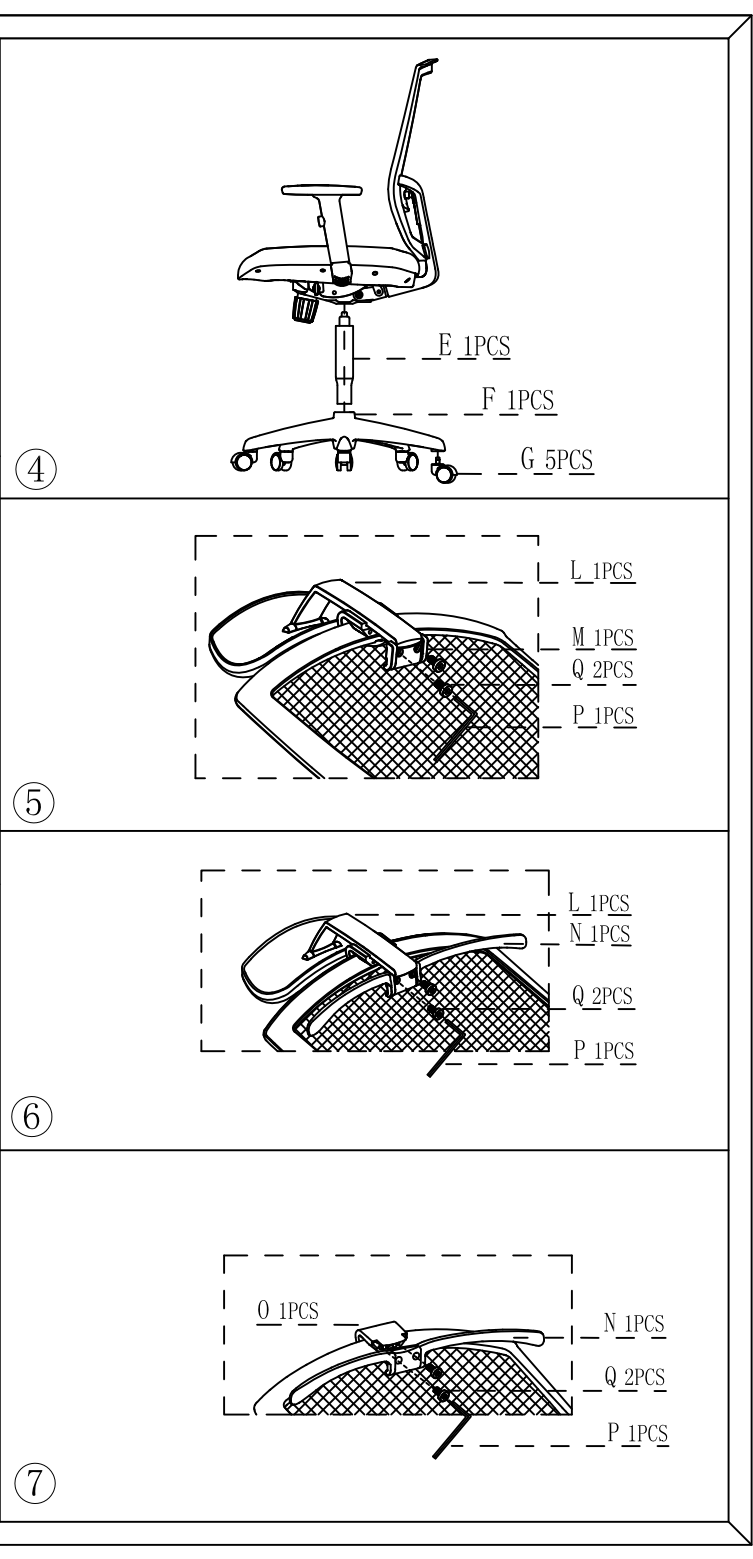
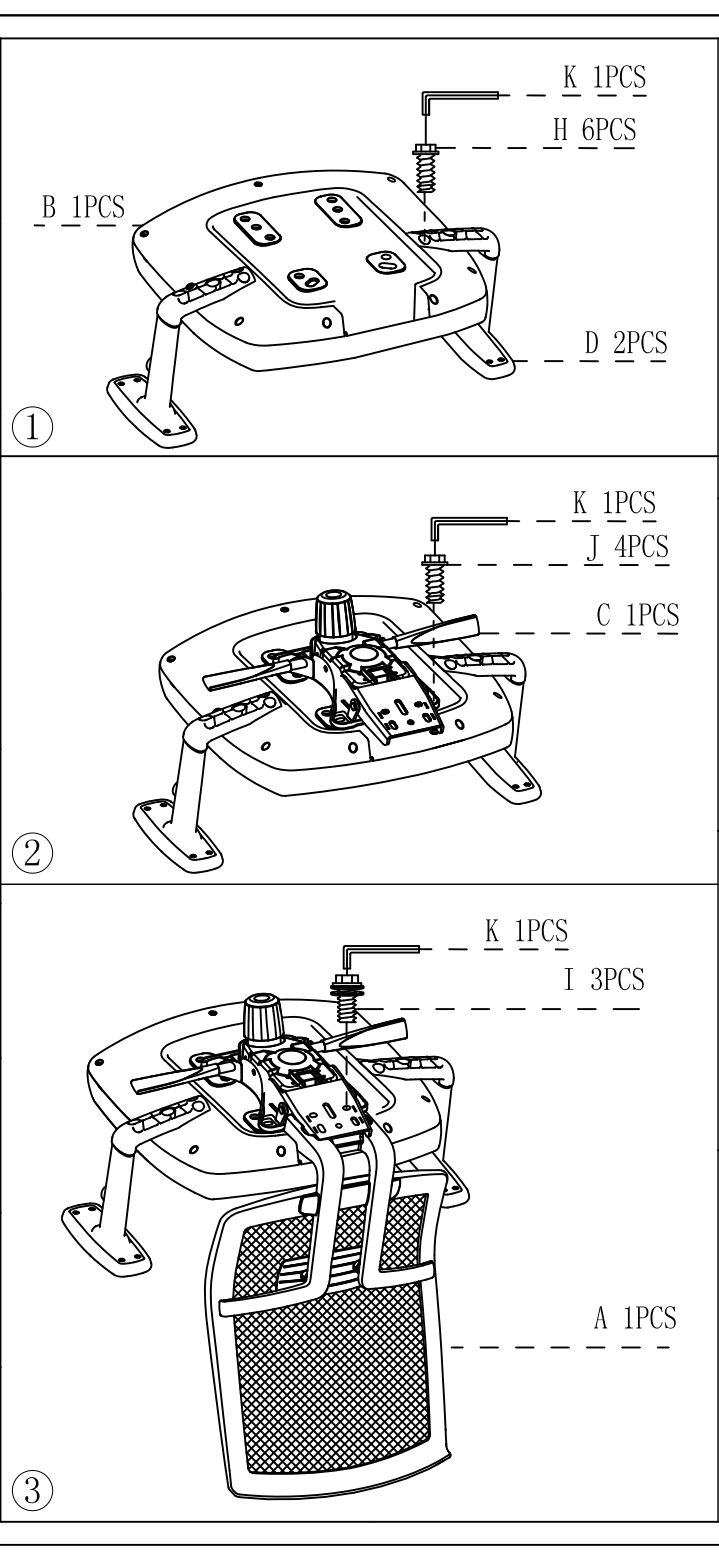
#### WARNING

- If parts are missing, broken, damaged or worn stop using the product until all repairs are made.
  - Failure to follow these warnings could result in serious injury.

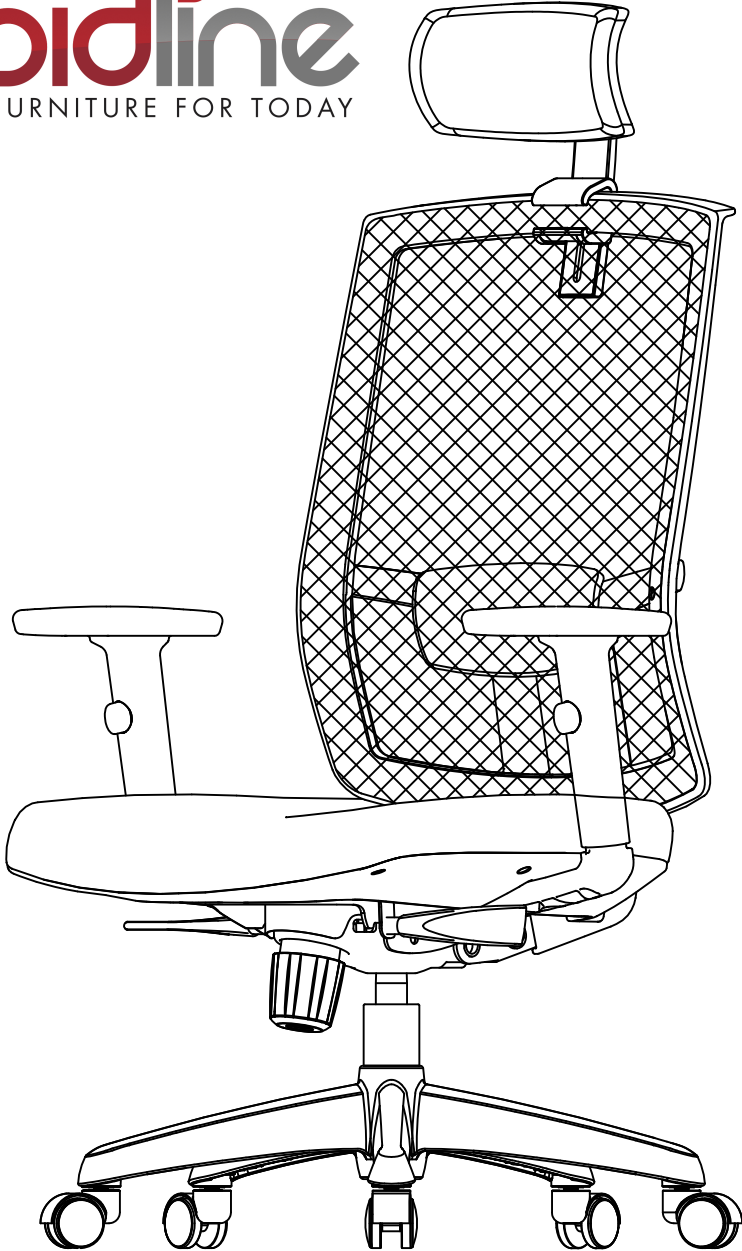


A		1PCS
B		1PCS
C		1PCS
D		2PCS
E		1PCS
F		1PCS
G		5PCS
H		5/16"*1-1/2" 6PCS

I		5/16"*3/4" 3PCS
J		5/16"*1-1/4" 4PCS
K		M5 1PCS
L		Optional Accessories 1PCS
M		1PCS
N		1PCS
O		1PCS
P		M4 1PCS
Q		3/16"*12mm 2PCS



**rapidline**  
FURNITURE FOR TODAY



KAL TASK CHAIR

