

ASSEMBLY INSTRUCTIONS:

Product Code : HSS1250

Product Name: Rapidline Hand Sanitiser Station

TIME REQUIRED:

10 minutes

TOOLS REQUIRED:

Screwdriver, Electric Drill, Pencil, Measuring tape/Ruler

*Tools are not included.

SKILL REQUIRED:

Easy  Hard

The Assembly Skill Rating is a 5-point system that shows the degree of effort needed in assembling a specific product. With 1 being easy for the average person and 5 requiring an expert. For most products, two persons are recommended.

NOTE

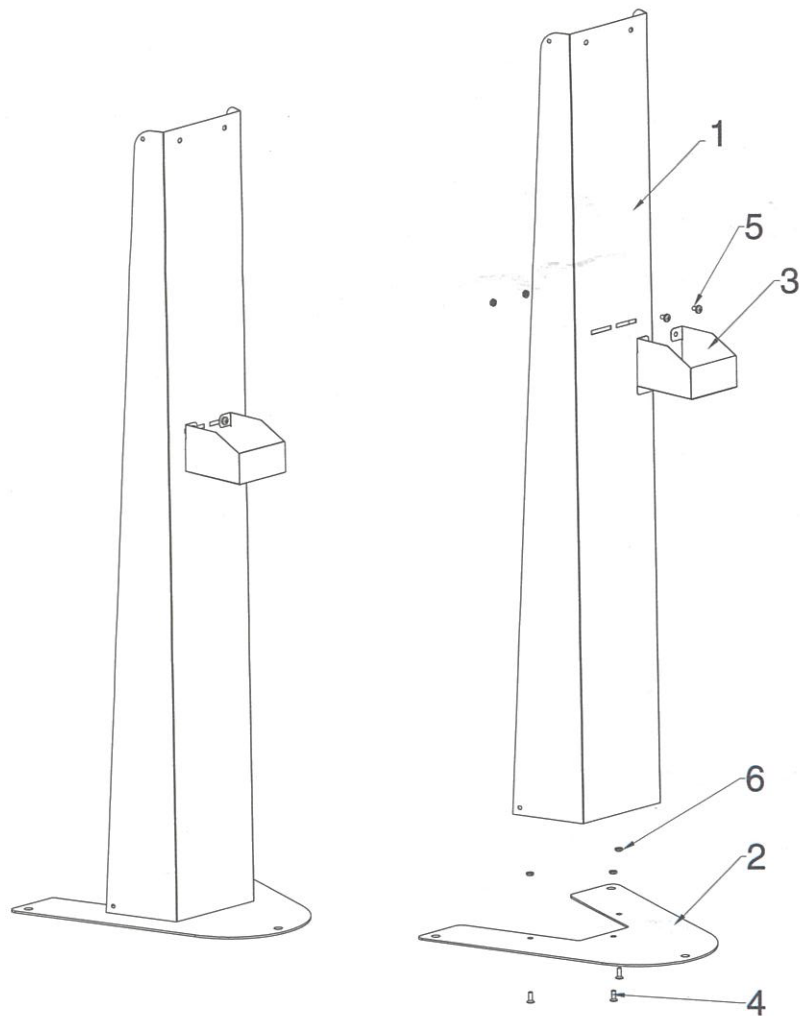
- As this is a commercial product, some intermediate skills may be required.
 - No pre-drill holes or markings are provided on our table or desk tops.
 - Please check you have all hardware before assembling.
- If you are missing any hardware, please contact your Rapidline reseller. Please ensure you have the name of the item, required hardware part and quantity.
 - Please retain your receipt as proof of purchase to validate your warranty.
- Assemble on a clean, flat, smooth surface such as a rug or carpet to avoid parts from being scratched.
 - Remove all wrapping materials, including staples and packing straps before you start to assemble
 - Keep all hardware parts out of reach of children.

CAUTION

- Heavy product. Do not attempt to lift or move without help
- Do not tighten screws and bolts until completely assembled.
- Do not use this product unless all bolts and screws are firmly secured and tightened.

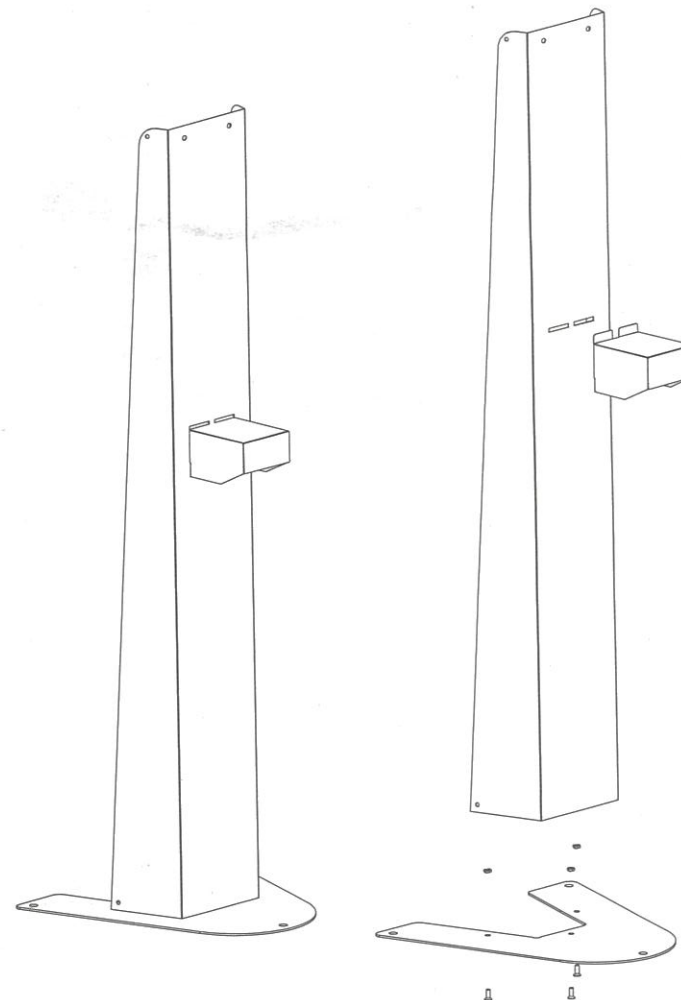
WARNING

- If parts are missing, broken, damaged or worn stop using the product until all repairs are made.
 - Failure to follow these warnings could result in serious injury.



Assembly 1
Drip Tray

No.	Code	Description	Quantity
1	A9218-001	1250 Upright	1
2	Z0122-001	432x400 Base	1
3	CM420-001	100x130x75 Tray	1
4	LS007-M06-20	M6x20 Flat head screw	3
5	LS004-M06-20	M6x20 Brazier head screw	4
6	LSM03-M06	M6 Flange nut	7



Assembly 2 Shelf

Hand Sanitising Station Installation Guide