

ASSEMBLY INSTRUCTIONS:

Product Code : GG09SLOT / GG12SLOT & GS7D (*GS7D Dividers sold separately)

Product Name: GO Slotted Shelf and Dividers for Tambour Door Cupboards

TIME REQUIRED:

60 minutes

TOOLS REQUIRED:

Screwdriver, Electric Drill, Pencil, Measuring tape/Ruler

*Tools are not included.

SKILL REQUIRED:

Easy  Hard

The Assembly Skill Rating is a 5-point system that shows the degree of effort needed in assembling a specific product. With 1 being easy for the average person and 5 requiring an expert. For most products, two persons are recommended.

NOTE

- As this is a commercial product, some intermediate skills may be required.
 - No pre-drill holes or markings are provided on our table or desk tops.
 - Please check you have all hardware before assembling.
- If you are missing any hardware, please contact your Rapidline reseller. Please ensure you have the name of the item, required hardware part and quantity.
 - Please retain your receipt as proof of purchase to validate your warranty.
- Assemble on a clean, flat, smooth surface such as a rug or carpet to avoid parts from being scratched.
 - Remove all wrapping materials, including staples and packing straps before you start to assemble
 - Keep all hardware parts out of reach of children.

CAUTION

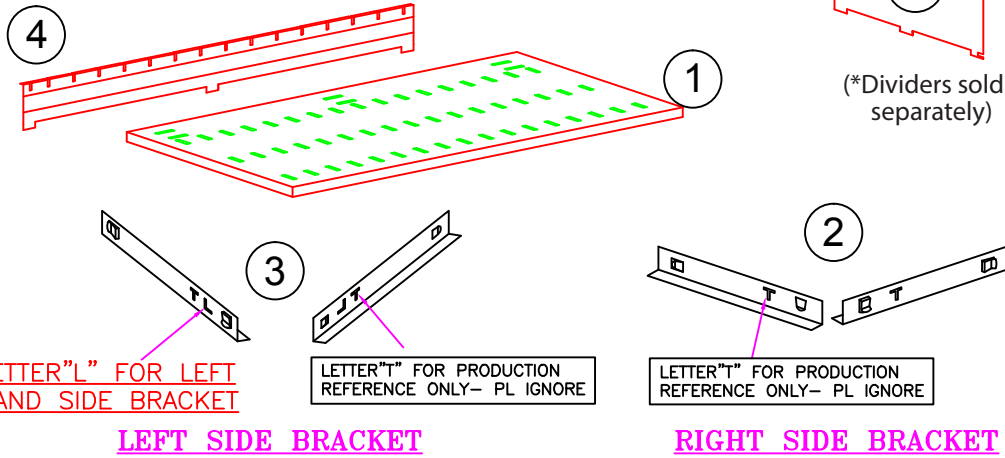
- Heavy product. Do not attempt to lift or move without help
- Do not tighten screws and bolts until completely assembled.
- Do not use this product unless all bolts and screws are firmly secured and tightened.

WARNING

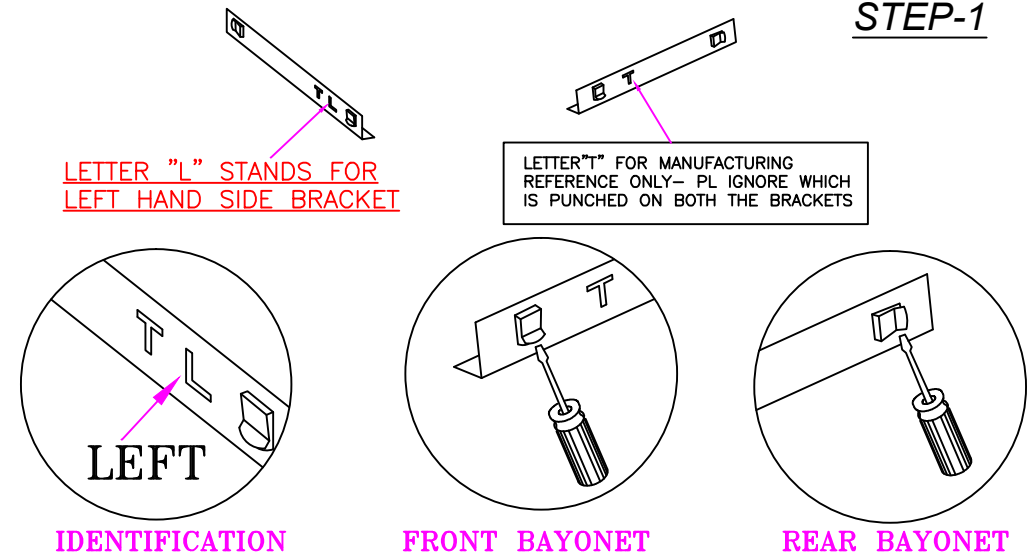
- If parts are missing, broken, damaged or worn stop using the product until all repairs are made.
 - Failure to follow these warnings could result in serious injury.

ASSEMBLY INSTRUCTIONS GTD SLOTTED SHELF

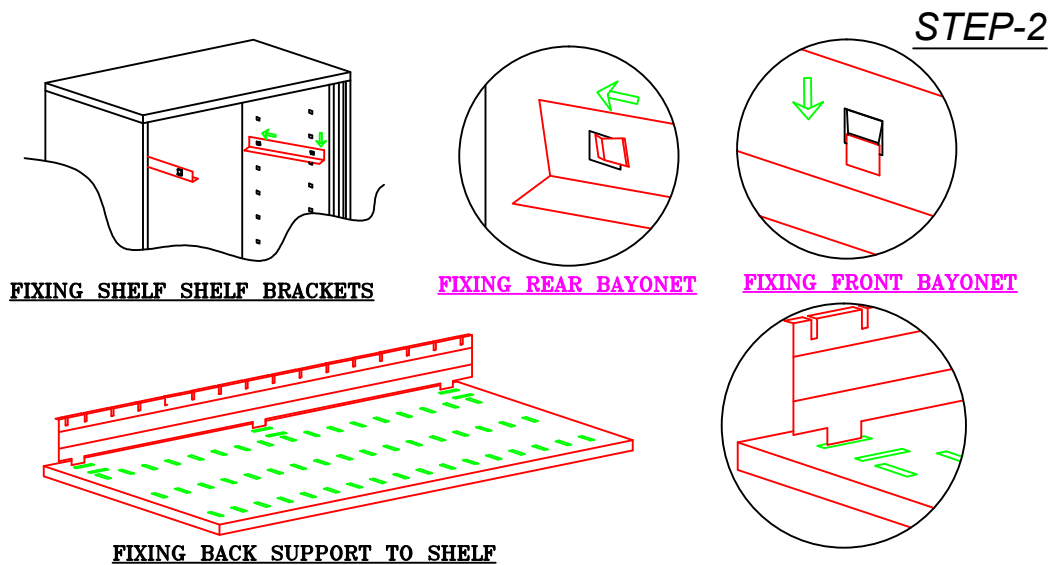
| PART LIST | | |
|-----------|------------------------------|----------|
| Part No | Component | Quantity |
| 01 | SLOTTED SHELF | 01 |
| 02 | SHELF SUPPORT RH | 01 |
| 03 | SHELF SUPPORT LH | 01 |
| 04 | FILE SUPPORT(Back support) | 01 |
| 05 | DIVIDERS (PACKED SEPERATELY) | 05 |



STEP-1

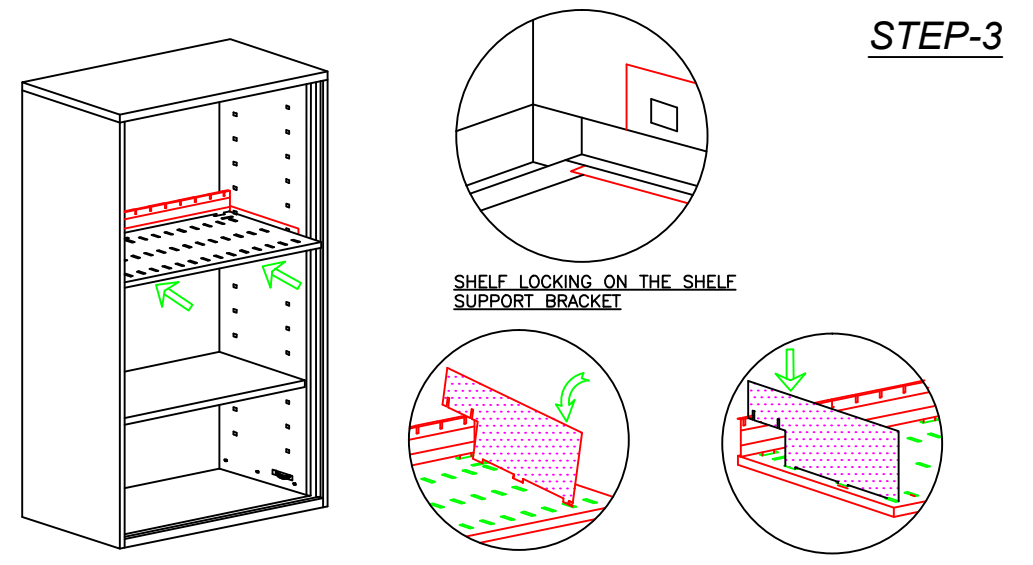


1. Identify the LH and RH Brackets as shown. The Letter "L" is for Left side bracket. The letter "T" is punched on both the brackets for manufacturing identification. Please ignore the letter "T".
2. OPEN the Bayonets slightly as shown using FLATHEAD Screw driver for the easy of assembly.



STEP-2

STEP-3



1. Position the SLOTTED SHELF on the shelf support brackets.
2. Press the shelf gently inside. Ensure that the shelf is locked inside the rear edge of the shelf support bracket.
3. Now assemble the DIVIDERS at the desired position as shown.