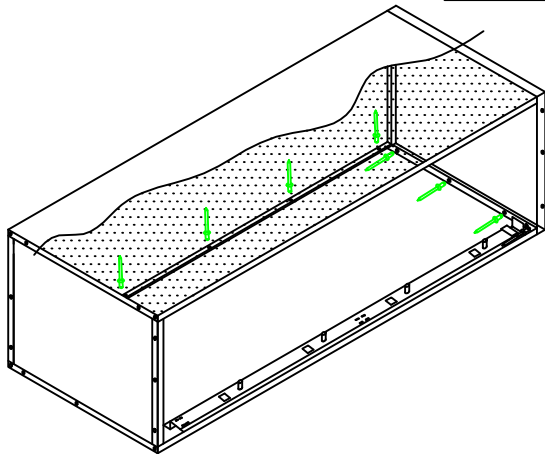
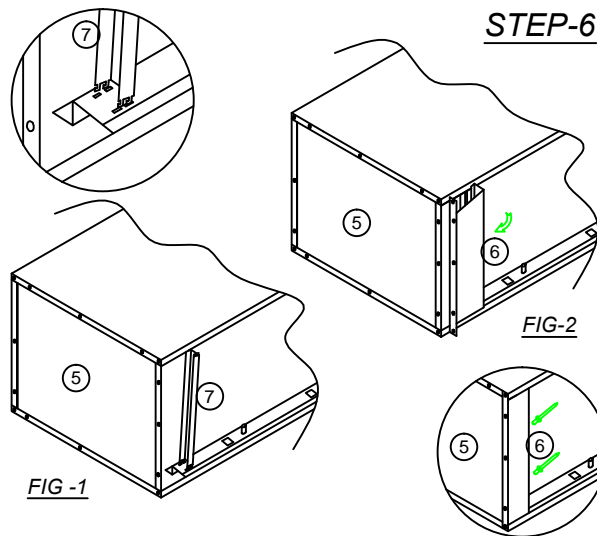


### STEP-5



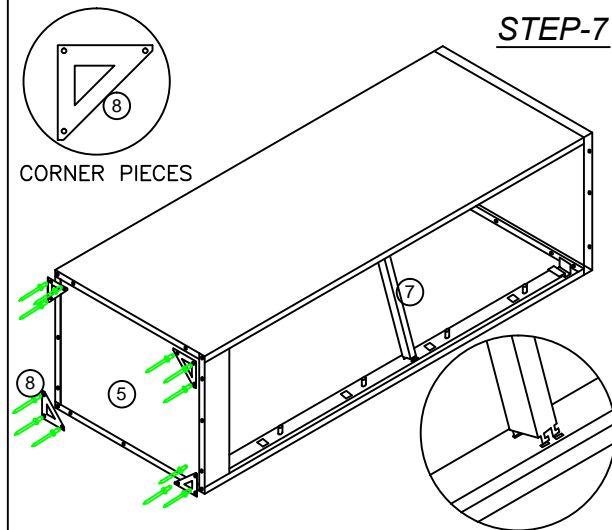
1. Rivet the RH side with the back and top from inside as shown.

### STEP-6



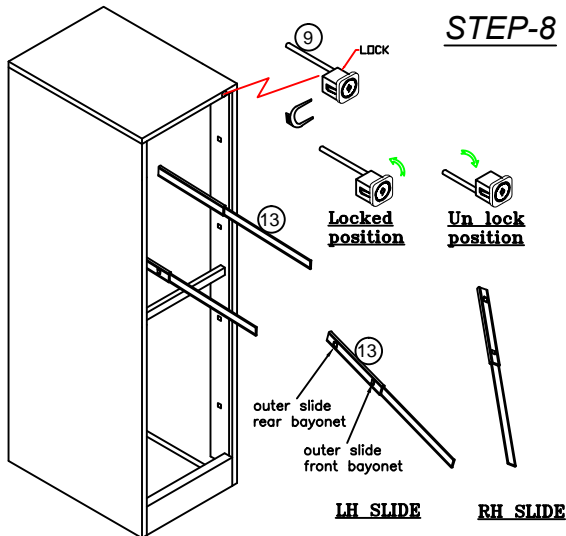
1. Fix bottom Centre tie as shown in FIG-1.
2. Fix the bottom front as shown in FIG-2 and rivet with the centre tie as shown.

### STEP-7



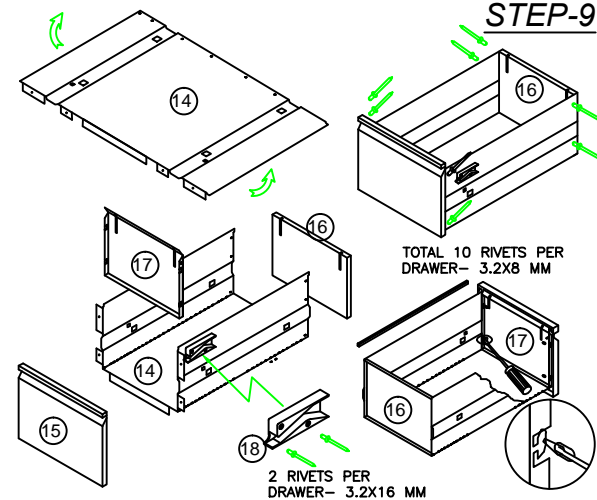
1. Rivet the 4 corner pieces as shown on the bottom tray (Use a 4 mm rod for aligning holes if necessary).
2. Fix the Centre Tie as shown and then lift erect the cabinet for drawers fixing

### STEP-8



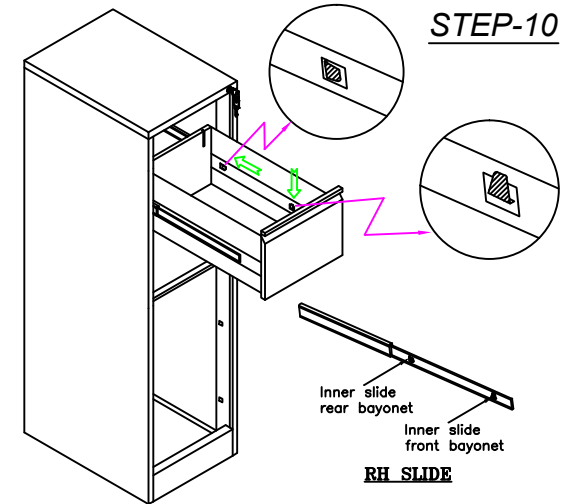
1. Fix the slides as shown.
2. Position the lock into the lock slot in UNLOCK position and then fix the C-Clip from behind the top as shown.

### STEP-9



1. Fold the drawer body and rivet the drawer back, drawer front and anti tilt bracket as shown.
2. Fix the drawer inside cover and lock the inside cover tabs using the screw driver as shown and fix the railings on the drawer edges.

### STEP-10



1. Pull the inner slide members outwards and position the rear bayonet on the drawer body and press the drawer downward as shown.
2. Similarly fix all the drawers and now the cabinet is ready to use.