

ASSEMBLY INSTRUCTIONS:

Product Code : ENDEAVOUR PRO BL

Product Name: Endeavour Chair

TIME REQUIRED:

15 minutes

TOOLS REQUIRED:

Screwdriver, Electric Drill, Pencil, Measuring tape/Ruler

*Tools are not included.

SKILL REQUIRED:

Easy  Hard

The Assembly Skill Rating is a 5-point system that shows the degree of effort needed in assembling a specific product. With 1 being easy for the average person and 5 requiring an expert. For most products, two persons are recommended.

NOTE

- As this is a commercial product, some intermediate skills may be required.
 - No pre-drill holes or markings are provided on our table or desk tops.
 - Please check you have all hardware before assembling.
- If you are missing any hardware, please contact your Rapidline reseller. Please ensure you have the name of the item, required hardware part and quantity.
 - Please retain your receipt as proof of purchase to validate your warranty.
- Assemble on a clean, flat, smooth surface such as a rug or carpet to avoid parts from being scratched.
 - Remove all wrapping materials, including staples and packing straps before you start to assemble
 - Keep all hardware parts out of reach of children.

CAUTION

- Heavy product. Do not attempt to lift or move without help
- Do not tighten screws and bolts until completely assembled.
- Do not use this product unless all bolts and screws are firmly secured and tightened.

WARNING

- If parts are missing, broken, damaged or worn stop using the product until all repairs are made.
 - Failure to follow these warnings could result in serious injury.

ASSEMBLY INSTRUCTIONS

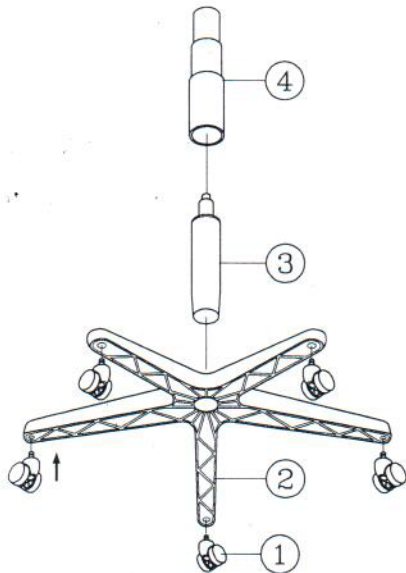
Remove all items from the carton. Verify all pieces before assembly.

TORQUE SETTINGS TO FIX ALL BOLTS: 1.6Nm

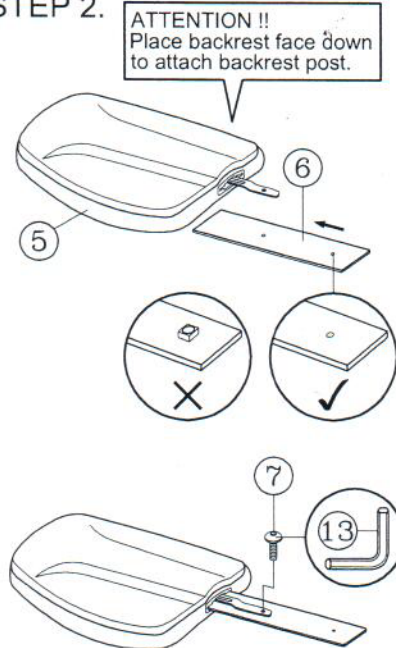
PARTS LIST

| KEY QTY | DESCRIPTION | KEY QTY | DESCRIPTION | KEY QTY | DESCRIPTION |
|---------|-------------------|---------|-------------------|---------|------------------------|
| 1 | 5 Caster | 6 | 1 Backrest Post | 11 | 1 Back Tight Bolt |
| 2 | 1 Base | 7 | 1 Backrest Screw | 12 | 1 Back Post Bellow |
| 3 | 1 Seat Post | 8 | 1 Seat | 13 | 1 M5 Size Allen Wrench |
| 4 | 1 Seat Post Cover | 9 | 1 Mechanism | | |
| 5 | 1 Backrest | 10 | 6 Mechanism Screw | | |

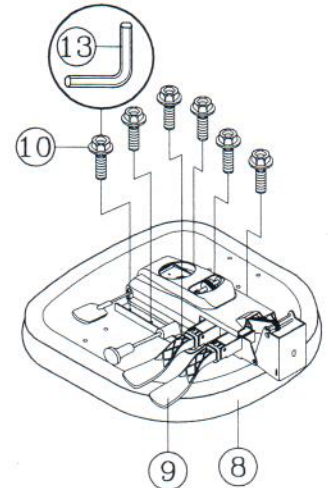
STEP 1.



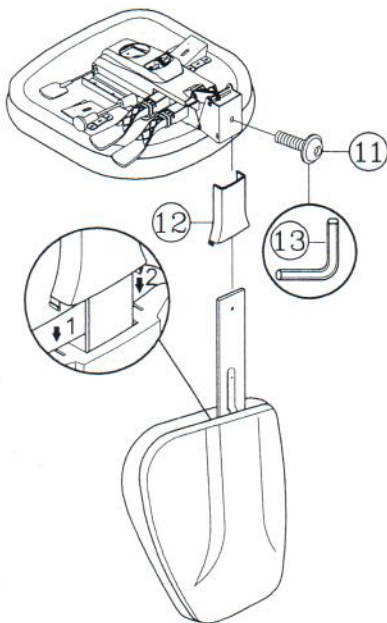
STEP 2.



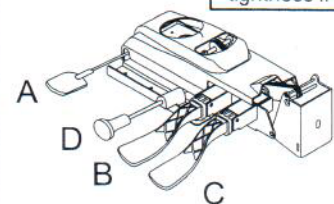
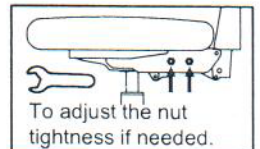
STEP 3.



STEP 4.



17mm Wrench



MECHANISM INSTRUCTIONS:

- A** Pneumatic seat height adjustment
- B** Seat angle adjustment :
Seat angle adjusts independently with a single lever.
- C** Backrest angle adjustment :
Back angle adjusts independently with a single lever.
- D** Sliding seat:
It provides seat depth adjustment for different user leg lengths.

PREVENTIVE MAINTENANCE AND WARNING!

- USE THIS PRODUCT ONLY FOR SEATING ONE PERSON AT A TIME.
- DO NOT USE THIS CHAIR AS A STEP STOOL / LADDER.
- DO NOT SIT ON ANY PART OF THE CHAIR EXCEPT THE SEAT.
- DO NOT USE CHAIR ON UNEVEN FLOOR SURFACES.
- DO NOT USE CHAIR UNLESS ALL BOLTS, SCREWS AND KNOBS ARE TIGHTENED.
- EVERY SIX MONTHS, PLEASE MAKE SURE ALL BOLTS, SCREWS AND KNOBS ARE FULLY TIGHTENED TO ENSURE STABILITY.
- IF ANY PARTS ARE MISSING, BROKEN, DAMAGED OR WORN, STOP USE OF THE PRODUCT UNTIL REPAIRS ARE MADE USING FACTORY AUTHORIZED PARTS.
- DISPOSE OF PACKAGING PROPERLY. PLASTIC BAG IS NOT A TOY. DO NOT USE PLASTIC BAG AS HEAD COVERING - IT MAY CAUSE SUFFOCATION.
- FAILURE TO FOLLOW THESE WARNINGS COULD RESULT IN SERIOUS INJURY.
- NOTE: SOME SCREWS MAY BE PREASSEMBLED. IF PREASSEMBLED, IGNORE ASSEMBLY INSTRUCTIONS.